

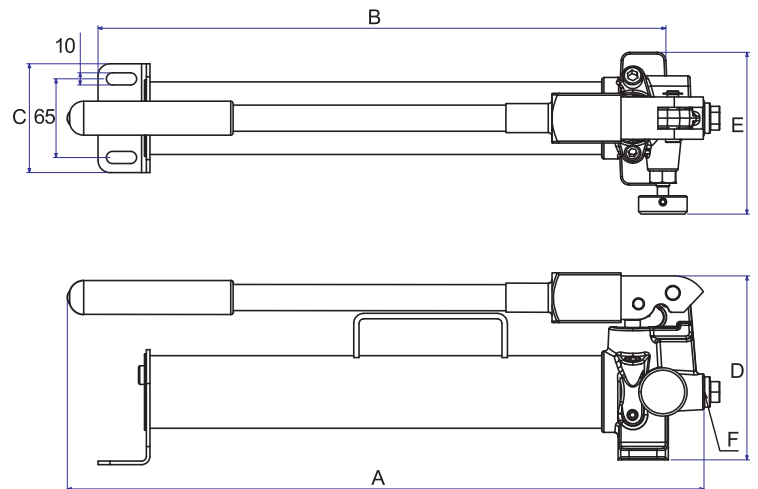
MODEL: PA & PB SERIES

Single & Dual-speed models
Large 3/8" pressure port for max. flow
Low handle force for easy operation
Max. working pressure: 200 & 700 bar



FEATURES

- HYDROLUTION heavy duty hand pumps are feature with forged and welded construction to prevent collision and deformation.
- Professional choice for a wide range of industrial applications.
- Both single and Dual-speed models are available.
- Internal overload valve relief prevents pump from being used beyond its rated capacity.
- External adjustable relief valve with anti-losing mechanism design.
- Carrying handle for easy portability.



SINGLE-SPEED HEAVY-DUTY HAND PUMPS

Model No.	Pressure Rating (bar)	Usable Oil Capacity (c.c.)	Oil Volume Per Stroke (c.c.)	A (mm)	B (mm)	C (mm)	D (mm)	E (mm)	Oil Port Thread F	Weight (kgs)
PA350	200	250	3.1	335	295	90	146	128	3/8 NPT	5
PA600	700	550	3.1	545	485	90	146	128	3/8 NPT	6.1
PA700	700	640	3.1	632	533	90	146	128	3/8 NPT	6.5

TWO-SPEED HEAVY-DUTY HAND PUMPS

Model No.	Pressure Rating (bar)		Usable Oil Capacity (c.c.)	Oil Volume Per Stroke (c.c.)		A (mm)	B (mm)	C (mm)	D (mm)	E (mm)	Oil Port Thread F	Weight (kgs)
	1st Stage	2nd Stage		1st Stage	2nd Stage							
PB350	20	200	250	13.0	2.8	335	303	90	146	128	3/8 NPT	5.5
PB600	20	700	550	13.0	2.8	545	493	90	146	128	3/8 NPT	7
PB700	20	700	640	13.0	2.8	590	541	90	146	128	3/8 NPT	7.3