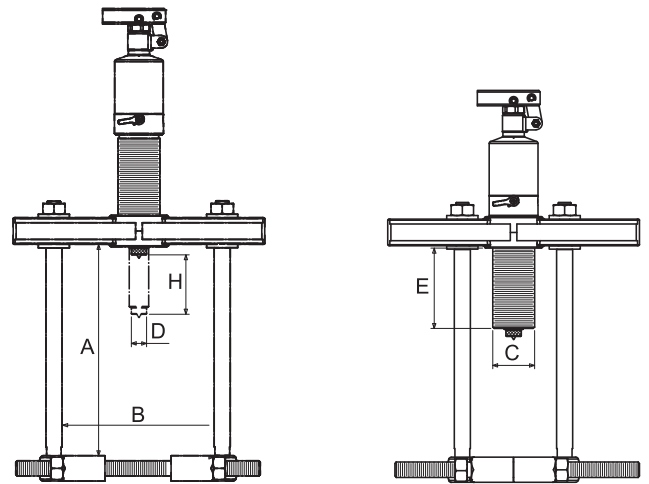


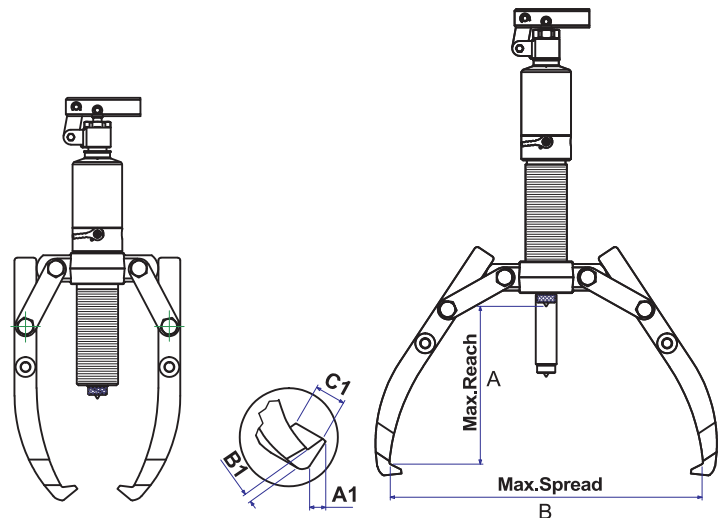


- One completed set (4 ~ 8 Ton) with two kinds of puller for user's convenience.



## FEATURES

- Four stages of foldable & removable handle saves the handle force during operation.
- 360° Rotary Socket.
- Self-contained hydraulic pump and puller body with integral safety valve.
- Spring loaded live centering nut for easy job (removable).
- 2 jaws puller cross head with manganous-phosphate plated for rust proof and durability.
- Package including puller body, jaw assembly, cross bearing, extension bar and blow molded case for practical and safe works.



## SPECIFICATIONS

Capacity	Model No.	Reach (Max. mm)		Spread (Max. mm)		Stroke (mm)	Pump Tip (mm)			Jaw Tip (mm)			Weight (kg)
		A	B	H	C		D	E	A1	B1	C1		
4 Ton	PM420	185/224	255/145	60	42	22	84	11	6	22	12.4		
6 Ton	PM620	220/255	330/220	70	45	23	90	13	10	22	17.0		
8 Ton	PM820	230/255	350/230	85	50	25	122	11	10	25	20.0		
12 Ton	PM1220	270/298	375/310	85	60	28	115	14	10	29	17.2 / 20.6 (puller / acc.set)		