



MODEL:SSA-SERIES

Capacity: 20 - 100 Ton

Stroke: 50 - 250 mm

Spring Return, Single Acting

Max. Working Pressure: 700 bar / 10,000 psi

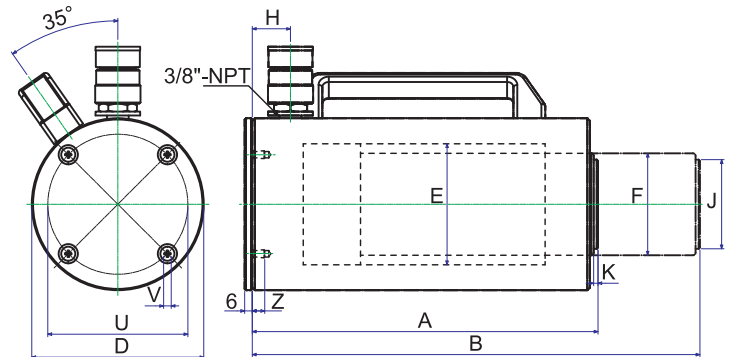


FEATURES

- Half weight of the steel cylinders.
- Heavy duty spring for fast & full retraction.
- Large saddle surface for side load protection.
- Carrying handles are equipped for all models.
- Hard-Anodized coating reduces wear & corrosion.
- Rod wiper protects inner rod from dirt.
- Stop rings for piston blow-out protection.

Base Plate Mounting Holes Dimensions(mm)

Model No./ Capacity (ton)	Bolt Circle U (mm)	Thread V (mm)	Thread Depth Z (mm)
SSA-20	70	M6x1.0	20
SSA-30	80	M6x1.0	10
SSA-50	110	M6x1.0	10
SSA-100	160	M6x1.0	10



SPECIFICATIONS

Model No.	Capacity (ton)	Stroke (mm)	Cylinder Effective Area (cm ²)	Oil Capacity (cm ³)	Collapsed Height A (mm)	Extended Height B (mm)	Outside Diameter D (mm)	Cylinder Bore Diam E (mm)	Plunger Diameter F (mm)	Base to Advance Port H (mm)	Saddle Diameter J (mm)	Saddle Protrusion from Plunger K (mm)	Weight (kgs)
SSA202	20	50	33.2	166	168	218	92	62	55	25	40	3	4.3
SSA204		100	33.2	332	218	318	92	62	55	25	40	3	5.0
SSA206		150	33.2	498	268	418	92	62	55	25	40	3	5.7
SSA208	30	200	33.2	664	318	518	92	62	55	25	40	3	6.5
SSA302		50	44.2	221	175	225	110	75	60	25	40	3	6.0
SSA304		100	44.2	442	225	325	110	75	60	25	40	3	6.9
SSA306	50	150	44.2	663	275	425	110	75	60	25	40	3	7.9
SSA308		200	44.2	884	325	525	110	75	60	25	40	3	8.8
SSA502		50	70.9	354.5	171	221	135	95	80	30	70	6	7.7
SSA504	100	100	70.9	709	221	321	135	95	80	30	70	6	9.1
SSA506		150	70.9	1063.5	271	421	135	95	80	30	70	6	11.7
SSA508		200	70.9	1418	321	521	135	95	80	30	70	6	13.5
SSA5010	100	250	70.9	1772.5	371	621	135	95	80	30	70	6	16.4
SSA1002		50	143	715	185	235	200	135	105	45	70	6	17.2
SSA1004		100	143	1430	235	335	200	135	105	45	70	6	21.0
SSA1006	100	150	143	2145	285	435	200	135	105	45	70	6	25.1
SSA1008		200	143	2860	335	535	200	135	105	45	70	6	28.5
SSA10010		250	143	3575	385	635	200	135	105	45	70	6	30.7



MODEL:ACHC-SERIES

Capacity: 20 - 60 Tons

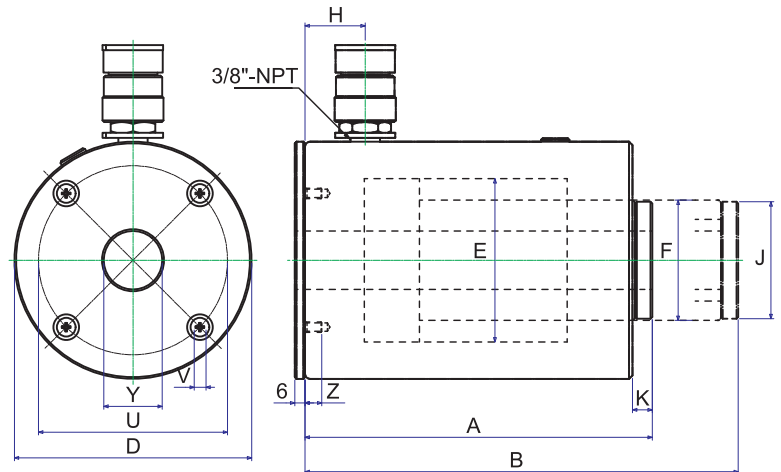
Stroke: 50 - 150 mm

Spring Return, Hollow Type

Max. Working Pressure: 700 bar / 10,000 psi

FEATURES

- Half weight of the steel cylinders.
- Heavy duty spring for fast & full retraction.
- Chrome plated center hole for extra protection.
- Carrying handles are equipped with all models.
- Hard-Anodized coating reduces wear & corrosion.
- Stop rings for piston blow-out protection.
- Rod wiper protects inner rod from dirt.



Base Plate Mounting Holes Dimensions(mm)

Model No./ Capacity (ton)	Bolt Circle U (mm)	Thread V (mm)	Thread Depth Z (mm)
ACHC-20	80	M6×1.0	10
ACHC-30	110	M6×1.0	10
ACHC-60	160	M6×1.0	10

SPECIFICATIONS

Model No.	Cylinder Capacity (ton)	Stroke (mm)	Cylinder Effective Area (cm ²)	Oil Capacity (cm ³)	Collapsed Height A (mm)	Extended Height B (mm)	Outside Diameter D (mm)	Cylinder Bore Diam E (mm)	Plunger Diameter F (mm)	Base to Advance Port H (mm)	Saddle Diameter J (mm)	Saddle Protrusion from Plunger K (mm)	Center Hole Dia. Y (mm)	Weight (kg)
ACHC202	20	50	34	170	175	225	110	75	55	30	54	8	27	4.3
ACHC204		100		340	245	345	110	75	55	30	54	8	27	6.5
ACHC206		150		510	315	465	110	75	55	30	54	8	27	8.0
ACHC302	30	50	55	275	202	252	138	95	70	35	68	11.5	34	8.4
ACHC304		100		550	264.5	364.5	138	95	70	35	68	11.5	34	11.8
ACHC306		150		825	327	477	138	95	70	35	68	11.5	34	12.8
ACHC602	60	50	89.5	448	250	300	200	125	100	50	89	14	54	23.0
ACHC604		100		895	300	400	200	125	100	50	89	14	54	26.3
ACHC606		150		1342	350	500	200	125	100	50	89	14	54	27.0

MODEL:ADHC-SERIES

Capacity: 30 & 60 Tons

Stroke: 50 - 250 mm

Hollow, Double Acting

Max. Working Pressure: 700 bar / 10,000 psi

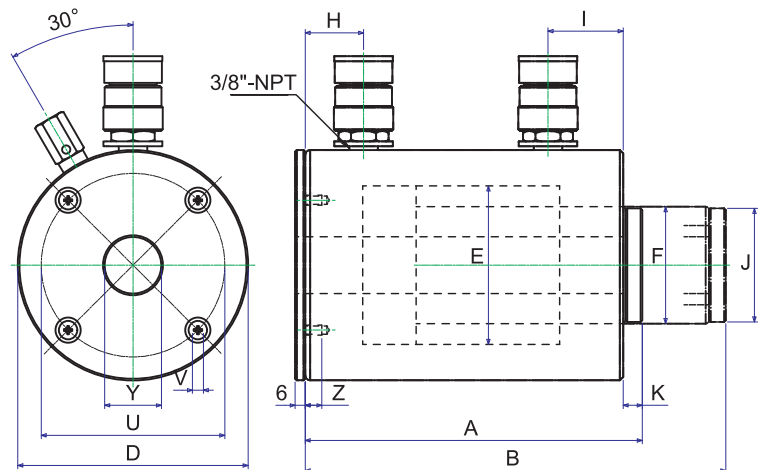


FEATURES

- Half weight of the steel cylinders.
- Steel piston regarding protection against load damage.
- Chrome plated center sleeve for extra protection.
- Carrying handles are equipped with all models.
- Hard-Anodized coating reduces wear & corrosion.
- Stop rings for piston blow-out protection.
- Rod wiper protects inner rod from dirt.

Base Plate Mounting Holes Dimensions(mm)

Model No./ Capacity (ton)	Bolt Circle U (mm)	Thread V (mm)	Thread Depth Z (mm)
ADHC-30	110	M6×1.0	10
ADHC-60	160	M6×1.0	10



SPECIFICATIONS

Model No.	Maximum Cylinder Capacity (ton)	Stroke (mm)	Maximum Cylinder Capacity (tons)		Cylinder Effective Area (cm ²)		Oil Capacity (cm ³)		Collapsed Height A (mm)	Extended Height B (mm)	Outside Diameter D (mm)	Cylinder Bore Diam E (mm)	Plunger Diameter F (mm)	Base to Advance Port H (mm)	Top to Retract Port I (mm)	Saddle Diameter J (mm)	Saddle Protrusion from Plunger K (mm)	Center Hole Diameter Y (mm)	Weight (kgs)
			Push	Pull	Push	Pull	Push	Pull											
ADHC302	30	50	38.5	22.7	55	32.4	275	162	202	252	138	95	70	35	45	68	11.5	34	9.6
ADHC306		150					825	486	327	477	138	95	70	35	45	68	11.5	34	14.8
ADHC3010		250					1374	810	430	680	138	95	70	35	45	68	11.5	34	16.0
ADHC602	60	50	62.6	31	89.5	44.2	448	221	250	300	200	125	100	50	50	89	14	54	15.5
ADHC606		150					1342	662	350	500	200	125	100	50	50	89	14	54	23.0
ADHC6010		250					2237	1104	433	683	200	125	100	50	50	89	14	54	30.5



MODEL:ALNC-SERIES

Capacity: 20 - 100 Ton

Stroke: 50 - 250 mm

Spring Return, Lock Nut Type

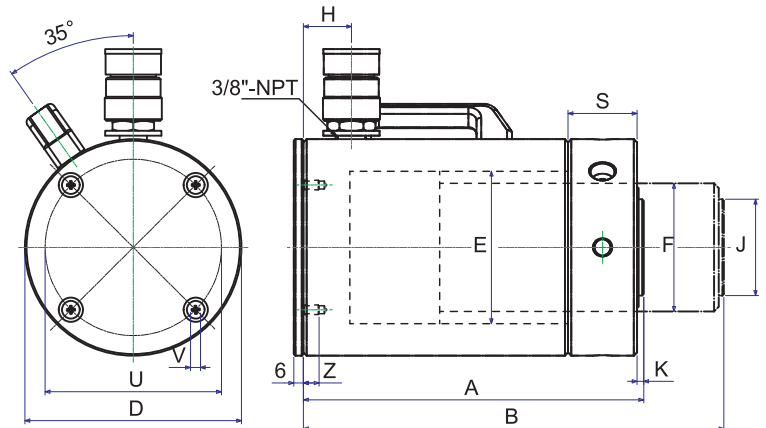
Max. Working Pressure: 700 bar / 10,000 psi



FEATURES

- Half weight of the steel cylinders.
- Locknut extend load holding period safely.
- Large saddle surface for side load protection.
- Carrying handles are equipped with all models.
- Hard-Anodized coating reduces wear & corrosion.
- Stop rings for piston blow-out protection.
- Heavy duty spring for fast and full retraction.

Model No./ Capacity (ton)	Bolt Circle U (mm)	Thread V (mm)	Thread Depth Z (mm)
ALNC-20	70	M6×1.0	10
ALNC-30	80	M6×1.0	10
ALNC-50	110	M6×1.0	10
ALNC-100	160	M6×1.0	10



SPECIFICATIONS

Model No.	Capacity (ton)	Stroke (mm)	Cylinder Effective Area (cm ²)	Oil Capacity (cm ³)	Collapsed Height A (mm)	Extended Height B (mm)	Outside Diameter D (mm)	Cylinder Bore Diam E (mm)	Plunger Diameter (threaded) F (mm)	Base to Advance Port H (mm)	Saddle Diameter J (mm)	Saddle Protrusion from Plunger K (mm)	Lock Nut Height S (mm)	Weight (kgs)
ALNC202	20	50	30.2	151	193	243	92	62	Tr55×3	25	40	3	25	4.8
ALNC204		100	30.2	302	243	343	92	62	Tr55×3	25	40	3	25	5.7
ALNC206		150	30.2	453	293	443	92	62	Tr55×3	25	40	3	25	6.3
ALNC208		200	30.2	604	343	543	92	62	Tr55×3	25	40	3	25	6.9
ALNC302	30	50	44.2	221	205	255	110	75	Tr60×3	25	40	3	30	6.9
ALNC304		100	44.2	442	255	355	110	75	Tr60×3	25	40	3	30	7.7
ALNC306		150	44.2	662	305	455	110	75	Tr60×3	25	40	3	30	8.6
ALNC308		200	44.2	883	355	555	110	75	Tr60×3	25	40	3	30	9.6
ALNC502	50	50	70.8	354	212	262	135	95	Tr80×4	30	60	3	43	9.3
ALNC504		100	70.8	708	262	362	135	95	Tr80×4	30	60	3	43	10.7
ALNC506		150	70.8	1063	312	462	135	95	Tr80×4	30	60	3	43	14.5
ALNC508		200	70.8	1417	362	562	135	95	Tr80×4	30	60	3	43	14.5
ALNC5010		250	70.8	1771	412	662	135	95	Tr80×4	30	60	3	43	16.5
ALNC1002	100	50	143	715	235	285	200	135	Tr105×6	45	70	3	51	21.9
ALNC1004		100	143	1431	285	385	200	135	Tr105×6	45	70	3	51	25.2
ALNC1006		150	143	2146	335	485	200	135	Tr105×6	45	70	3	51	29.2
ALNC1008		200	143	2861	385	585	200	135	Tr105×6	45	70	3	51	33.0
ALNC10010		250	143	3577	435	685	200	135	Tr105×6	45	70	3	51	35.4