

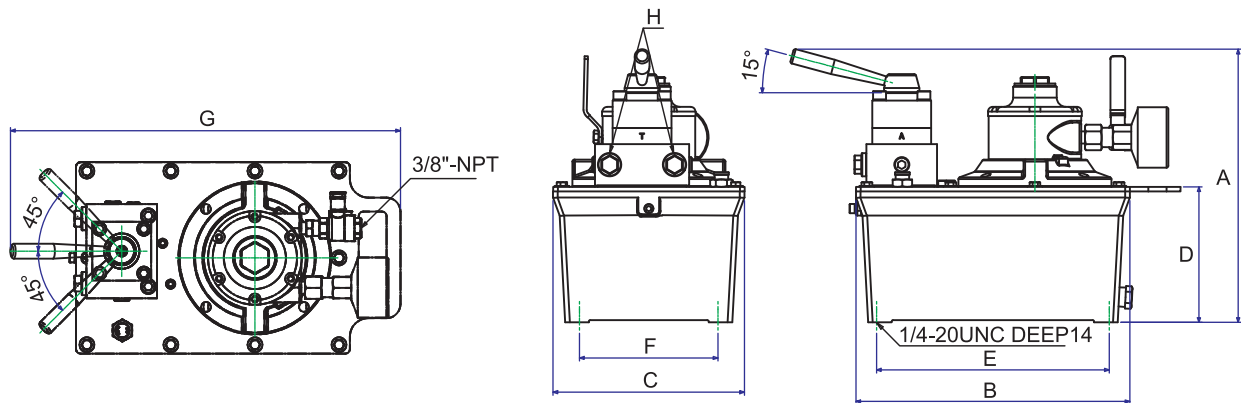
MODEL: AP13 SERIES

Single & Double acting models
Max. working pressure:700 BAR



FEATURES

- Dual-speed operation for fast speed cylinder advance.
- 3L durable aluminum reservoir design.
- Air motor capable of starting under full load.
- Automatic over-load relief valve protects components of the hydraulic systems and ensures safe operation.



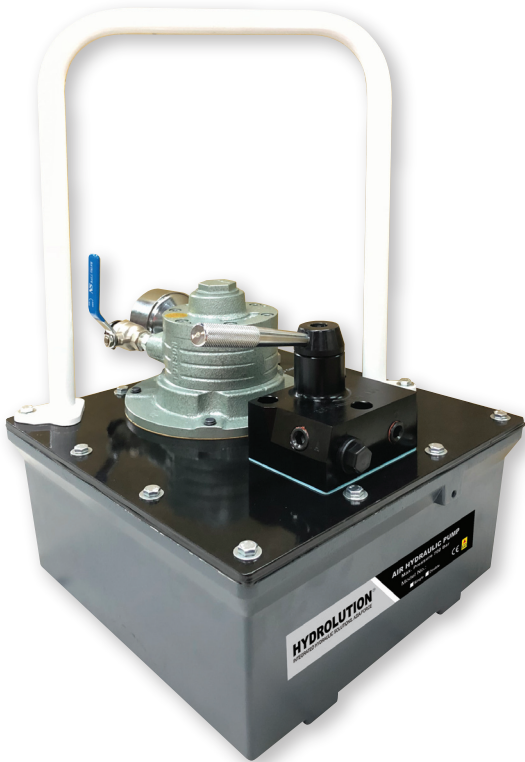
SPECIFICATION

Model No.	Acting	Max. Pressure Output (psi)	Valve		Oil Del. (c.c./min. @)*			
			Type	Function	0(psi)	100(psi)	5000(psi)	10000(psi)
AP13S	Single	10,000	2 Position / 2 Way	Advance /Retract	4000	2800	330	280
AP13D	Double	10,000	3 Position / 4 Way	Advance/ Hold/ Retract	4000	2800	330	280

* Actual flow will vary from the on site conditions.

* AP13S: Pressure will be held when the motor is shut off.

Model No.	Reservoir Capacity (c.c.)	Usable Oil Capacity (c.c.)	A (mm)	B (mm)	C (mm)	D (mm)	E (mm)	F (mm)	G (mm)	H (mm)	Weight (kg)
AP13S	3000	2400	287	295.5	206.5	146.2	251	149.4	350	3/8"-NPT	14.4
AP13D	3000	2400	295	295.5	206.5	146.2	251	149.4	421	3/8"-NPT	15.4

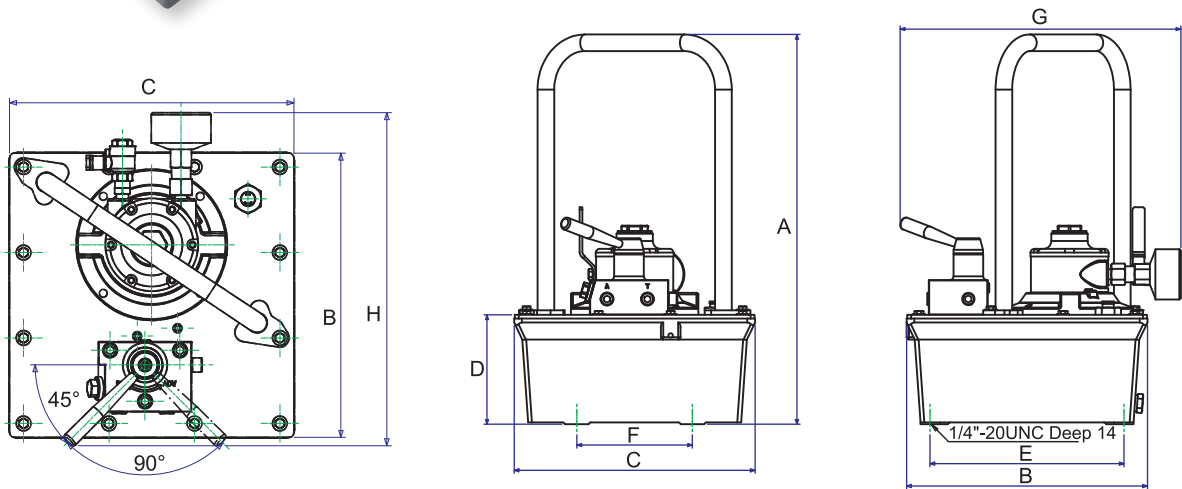


MODEL: AP18 SERIES

Single & Double acting models
Max. working pressure:700 BAR

FEATURES

- Dual-speed operation for fast speed cylinder advance.
- 8L durable aluminum reservoir design.
- Air motor capable of starting under full load.
- Automatic over-load relief valve protects components of the hydraulic systems and ensures safe operation.



SPECIFICATION

Model No.	Acting	Max. Pressure Output (psi)	Valve		Oil Del. (c.c./min. @)*			
			Type	Function	0(psi)	100(psi)	5000(psi)	10000(psi)
AP18S	Single	10,000	2 Position / 2 Way	Advance /Retract	4000	2800	330	280
AP18D	Double	10,000	3 Position / 4 Way	Advance/ Hold/ Retract	4000	2800	330	280

* Actual flow will vary from the on site conditions.

* AP18S: Pressure will be held when the motor is shut off.

Model No.	Reservoir Capacity (c.c.)	Usable Oil Capacity (c.c.)	A (mm)	B (mm)	C (mm)	D (mm)	E (mm)	F (mm)	G (mm)	H (mm)	Weight (kg)
AP18S	8000	7200	504	312	312	141.5	251	149.4	363	3/8"-NPT	21.5
AP18D	8000	7200	504	312	312	141.5	251	149.4	408	3/8"-NPT	22