

Double Acting Cylinders



Capacity:
50-1,500 Tons

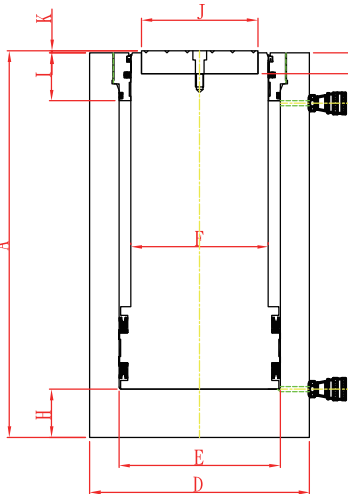
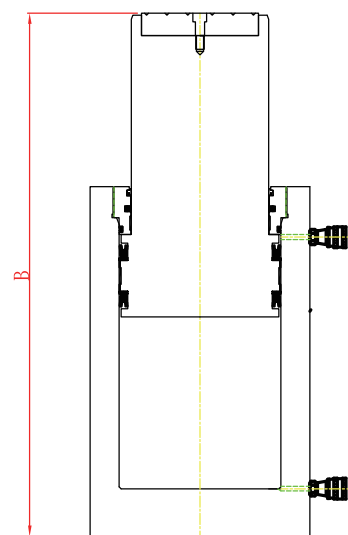
Stroke:
50-500 mm

Max. Operating Pressure:
700bar/10,000psi

DC Series



Model No.	Capacity	Stroke	Piston Area	Oil Volume
	Ton/Kn	mm	cm ²	cm ³
DC-502	50	50	78.54	392.7
DC-506		150	78.54	1178.1
DC-5012		300	78.54	2356.2
DC-5020		500	78.54	3927
DC-1002	100	50	143.14	715.7
DC-1006		150	143.14	2147
DC-10012		300	143.14	4294.2
DC-10020		500	143.14	7157
DC-1502	150	50	213.82	1069
DC-1506		150	213.82	3207
DC-15012		300	213.82	6414
DC-15020		500	213.82	10691
DC-2002	200	50	283.53	1417
DC-2006		150	283.53	4253
DC-20012		300	283.53	8505
DC-20020		500	283.53	14176
DC-2502	250	50	363.05	1815
DC-2506		150	363.05	5445
DC-25012		300	363.05	10891
DC-25020		500	363.05	18152
DC-3002	300	50	433.73	2168
DC-3006		150	433.73	6506
DC-30012		300	433.73	13012
DC-30020		500	433.73	21686
DC-4002	400	50	572.55	2862
DC-4006		150	572.55	8588
DC-40012		300	572.55	17176
DC-40020		500	572.55	28627
DC-5002	500	50	730.6	3653
DC-5006		150	730.6	10959
DC-50012		300	730.6	21918
DC-50020		500	730.6	36530
DC-6002	600	50	865.7	4328
DC-6006		150	865.7	12985
DC-60012		300	865.7	25971
DC-60020		500	865.7	43285
DC-8002	800	50	1164.16	5820
DC-8006		150	1164.16	17462
DC-80012		300	1164.16	34924
DC-80020		500	1164.16	58208
DC-10002	1000	50	1452.2	7261
DC-10006		150	1452.2	21783
DC-100012		300	1452.2	43566
DC-100020		500	1452.2	72610
DC-12002	1200	50	1735	8674
DC-12006		150	1735	26024
DC-120012		300	1735	52045
DC-120020		500	1735	86747
DC-15002	1500	50	2206.2	11031
DC-15006		150	2206.2	33092
DC-150012		300	2206.2	66185
DC-150020		500	2206.2	110309



Double Acting Cylinders

- DC Series high tonnage double acting hydraulic cylinders are designed specifically for heavy lifting up to 1,500 tons
- Double-acting, for positive retraction
- Integral stop ring provides piston blow-out protection resistance
- Built-in safety valve prevents accidental over-pressurization.
- Plunger wiper reduces contamination, extending cylinder life
- Special synthetic coating on external surface and plated chrome pistons provide superior corrosion resistance
- C8F coupler and dustcap included on all models
- Customized capacity and strokes available

Collapsed Height	Extended Height	Cylinder Dia.	Bore Dia.	Plunger Dia.	Port Height	Stop Ring Height	Saddle Dia.	Clearance Between Saddle And Stop Ring	Saddle Thickness	Weight	Model No.
A	B	D	E	F	H	I	J	K	L	kgs	
mm	mm	mm	mm	mm	mm	mm	mm	mm	mm		
168	218	135	100	75	30	50	55	3	20	17	DC-502
268	418	135	100	75	30	50	55	3	20	27	DC-506
453	753	135	100	75	30	50	55	3	20	43	DC-5012
710	1210	135	100	75	50	50	55	3	20	66	DC-5020
178	228	185	135	110	40	50	90	3	20	37	DC-1002
283	433	185	135	110	40	50	90	3	20	54	DC-1006
473	773	185	135	110	40	50	90	3	20	89	DC-10012
743	1243	185	135	110	60	50	90	3	20	138	DC-10020
203	253	220	165	135	50	60	110	3	20	58	DC-1502
308	458	220	165	135	50	60	110	3	20	84	DC-1506
518	818	220	165	135	50	60	110	3	20	138	DC-15012
753	1253	220	165	135	70	60	110	3	20	227	DC-15020
203	253	255	190	160	55	60	130	3	25	78	DC-2002
308	458	255	190	160	55	60	130	3	25	113	DC-2006
523	823	255	190	160	55	60	130	3	25	190	DC-20012
763	1263	255	190	160	75	60	130	3	25	274	DC-20020
218	268	290	215	180	65	65	150	3	25	109	DC-2502
318	468	290	215	180	65	65	150	3	25	152	DC-2506
528	828	290	215	180	65	65	150	3	25	248	DC-25012
868	1368	290	215	180	85	65	150	3	25	409	DC-25020
238	288	320	235	200	70	70	170	3	30	145	DC-3002
373	523	320	235	200	70	70	170	3	30	222	DC-3006
563	863	320	235	200	70	70	170	3	30	328	DC-30012
923	1423	320	235	200	90	70	170	3	30	537	DC-30020
263	313	370	270	225	80	80	185	3	30	207	DC-4002
383	533	370	270	225	80	80	185	3	30	278	DC-4006
608	908	370	270	225	80	80	185	3	30	421	DC-40012
933	1433	370	270	225	80	80	185	3	30	634	DC-40020
300	350	410	305	255	95	90	215	5	30	303	DC-5002
400	550	410	305	255	95	90	215	5	30	389	DC-5006
655	955	410	305	255	95	90	215	5	30	628	DC-50012
950	1450	410	305	255	95	90	215	5	30	900	DC-50020
320	370	450	332	280	100	100	240	5	30	390	DC-6002
420	570	450	332	280	100	100	240	5	30	496	DC-6006
660	960	450	332	280	100	100	240	5	30	766	DC-60012
955	1455	450	332	280	100	100	240	5	30	1097	DC-60020
345	395	520	385	320	115	110	280	5	35	562	DC-8002
445	595	520	385	320	115	110	280	5	35	701	DC-8006
675	975	520	385	320	115	110	280	5	35	1043	DC-80012
970	1470	520	385	320	115	110	280	5	35	1483	DC-80020
390	440	580	430	360	130	125	320	5	40	793	DC-10002
490	640	580	430	360	130	125	320	5	40	967	DC-10006
690	990	580	430	360	130	125	320	5	40	1332	DC-100012
995	1495	580	430	360	130	125	320	5	40	1897	DC-100020
430	480	640	470	390	145	130	350	10	50	1067	DC-12002
530	680	640	470	390	145	130	350	10	50	1278	DC-12006
730	1030	640	470	390	145	130	350	10	50	1721	DC-120012
1040	1540	640	470	390	145	130	350	10	50	2421	DC-120020
470	520	720	530	430	160	140	380	10	60	1476	DC-15002
570	720	720	530	430	160	140	380	10	60	1737	DC-15006
750	1050	720	530	430	160	140	380	10	60	2225	DC-150012
1060	1560	720	530	430	160	140	380	10	60	3100	DC-150020