

SIMPLE AND EASY PULLING JOB

The most simple and efficient design, the screw-Operated jaws bring the users to position the puller on the part quickly and precisely with one person operating only.

USER-FRIENDLY

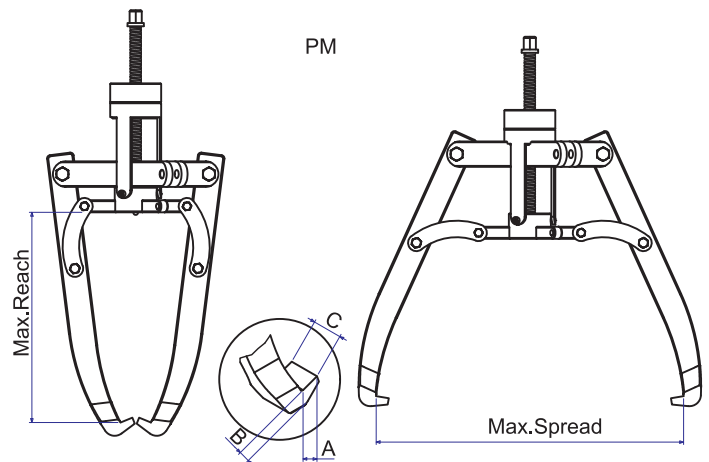
- 3 or 2 fixed jaws for easy positioning and self-centering.
- Available in six sizes with a maximum pulling force from 2 Ton to 10 Ton.

SAFE

- Self-centering function prevents the damage to the shaft and work piece being pulled.

SAVING COST

- Easy operating by one person which save time and work efficiently
- The first 2 or 3 way mechanical puller in the world, also a good choice to save cost by one price for two pullers.



SPECIFICATIONS

Capacity	Model No.	Jaws	Reach (Max. mm)	Spread (Max. mm)	Shaft Dim.	Jaw Tip (mm)			Weight (kg)
						A	B	C	
2 Ton	PM50	3	80	120	Ø5/8"x8T	8	6	15	1.3
2 Ton	PM52	2	80	120	Ø5/8"x8T	8	6	15	0.9
5 Ton	PM100	3	160	250	Ø3/4"x8T	11	10	25	3.7
5 Ton	PM102	2	160	250	Ø3/4"x8T	11	10	25	3.1
10 Ton	PM150	3	230	380	Ø7/8"x6T	14	10	29	8.8
10 Ton	PM152	2	230	380	Ø7/8"x6T	14	10	29	6.7

Patented in USA, Germany, S. Korea, Taiwan, P.R.C.....etc.