



P350A



P350B



P350D

MODEL: P350 SERIES

Dual-speed models

Could be operated in any directions

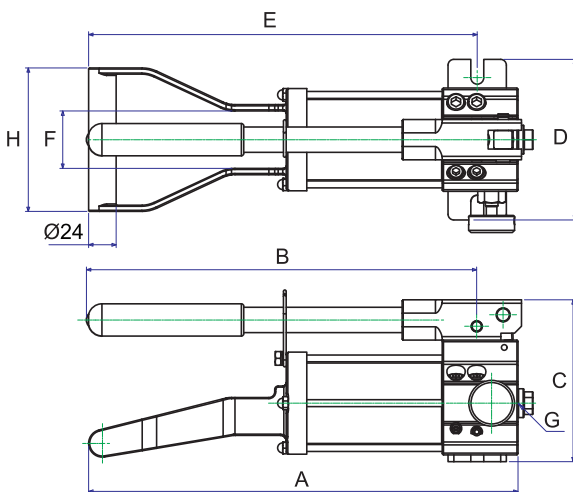
Large 3/8" NPT pressure port for max. flow

Max. working pressure: 700 bar

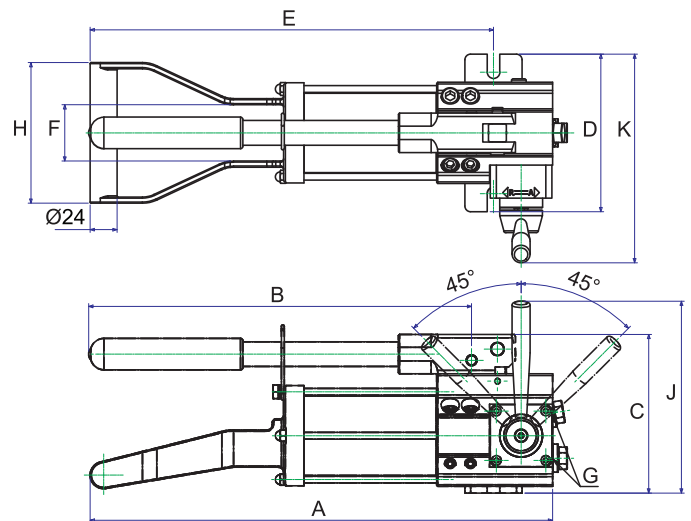
FEATURES

- Special design with aluminum alloy construction as much light weight is ideally for easy portability and maneuvering.
- The sealed oil reservoir design allows the hand pumps to be operated at all angles without the risk of air contamination and oil spills.
- The best optional hand pumps allow for sub-sea operation.
- Unique design of triangle hand-held base is easy to carry & operate.
- A: Single-port hand pump is used for one single-acting cylinder
- B: Twin-port hand pump is used for two single-acting cylinders simultaneously
- D: Double-acting hand pump is used for one double-acting cylinder

MODEL: P350A & P350B



MODEL: P350D



SPECIFICATIONS

Model No.	Pressure Rating (bar)		Usable Oil Capacity (c.c.)	Oil Volume Per Stroke (c.c.)		A (mm)	B (mm)	C (mm)	D (mm)	E (mm)	F (mm)	G (mm)	H (mm)	J (mm)	K (mm)	Weight (kgs)
	1st stage	2nd stage		1st stage	2nd stage											
P350A	20	700	350	5.8	0.9	374	340	140	140	338.5	50	3/8"-NPT	125	—	—	4.4
P350B	20	700	350	5.8	0.9	421	340	140	140	363.5	50	3/8"-NPT	125	—	—	6.2
P350D	20	700	350	5.8	0.9	411	340	140	140	358.5	50	3/8"-NPT	125	171	185	5.3



P550A



P550D



P550B

MODEL: P550 SERIES

Dual-speed models

Could be operated in any directions

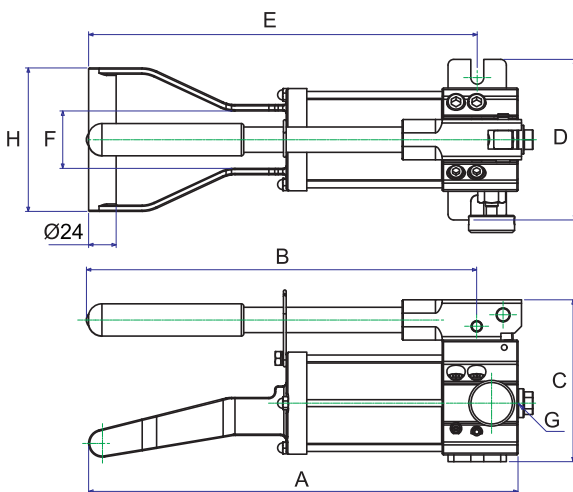
Large 3/8" NPT pressure port for max. flow

Max. working pressure: 700 bar

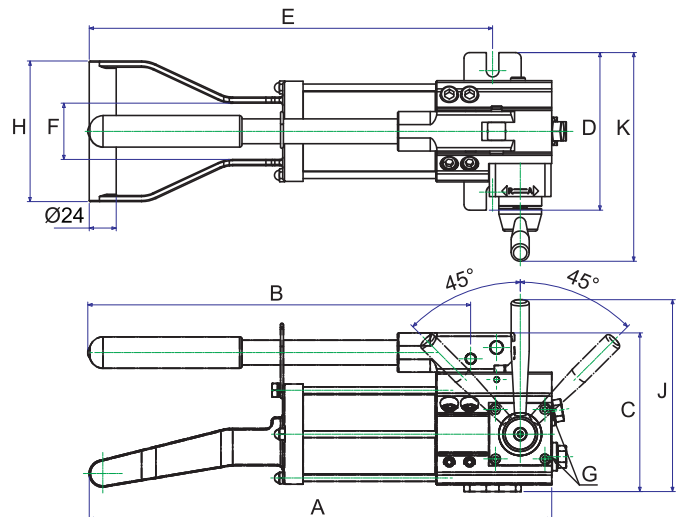
FEATURES

- Special design with aluminum alloy construction as much light weight is ideally for easy portability and maneuvering.
- The sealed oil reservoir design allows the hand pumps to be operated at all angles without the risk of air contamination and oil spills.
- The best optional hand pumps allow for sub-sea operation.
- Unique design of triangle hand-held base is easy to carry & operate.
- A: Single-port hand pump is used for one single-acting cylinder
- B: Twin-port hand pump is used for two single-acting cylinders simultaneously
- D: Double-acting hand pump is used for one double-acting cylinder

MODEL: P550A & P550B



MODEL: P550D



SPECIFICATIONS

Model No.	Pressure Rating (bar)		Usable Oil Capacity (c.c.)	Oil Volume Per Stroke (c.c.)		A (mm)	B (mm)	C (mm)	D (mm)	E (mm)	F (mm)	G (mm)	H (mm)	J (mm)	K (mm)	Weight (kgs)
	1st stage	2nd stage		1st stage	2nd stage											
P550A	20	700	550	5.8	0.9	494	463	140	140	458.5	50	3/8"-NPT	125	—	—	6
P550B	20	700	550	5.8	0.9	541	463	140	140	483.5	50	3/8"-NPT	125	—	—	7.1
P550D	20	700	550	5.8	0.9	531	463	140	140	478.5	50	3/8"-NPT	125	171	185	5.5



P1000A



P1000D



P1000B

MODEL: P1000 SERIES

Dual-speed models

Could be operated in any directions

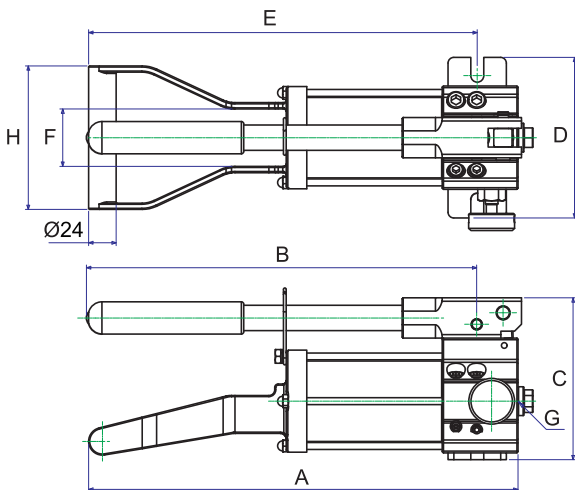
Large 3/8" NPT pressure port for max. flow

Max. working pressure: 700 bar

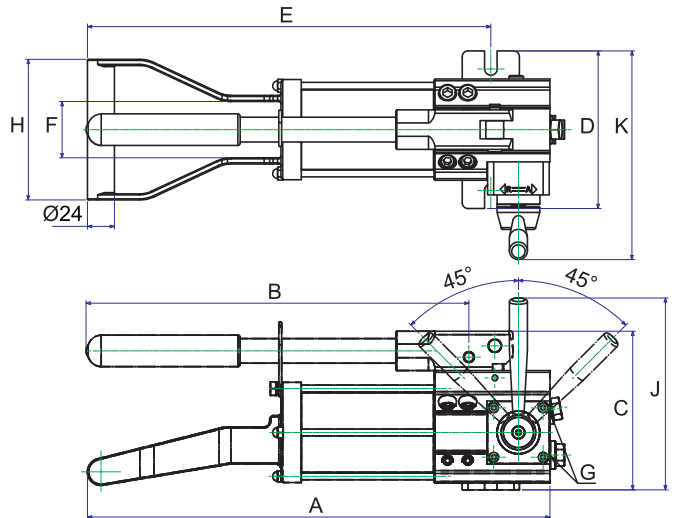
FEATURES

- Special design with aluminum alloy construction as much light weight is ideally for easy portability and maneuvering.
- The sealed oil reservoir design allows the hand pumps to be operated at all angles without the risk of air contamination and oil spills.
- The best optional hand pumps allow for sub-sea operation.
- Unique design of triangle hand-held base is easy to carry & operate.
- A: Single-port hand pump is used for one single-acting cylinder
- B: Twin-port hand pump is used for two single-acting cylinders simultaneously
- D: Double-acting hand pump is used for one double-acting cylinder

MODEL: P1000A & P1000B



MODEL: P1000D



SPECIFICATIONS

Model No.	Pressure Rating (bar)		Usable Oil Capacity (c.c.)	Oil Volume Per Stroke (c.c.)		A (mm)	B (mm)	C (mm)	D (mm)	E (mm)	F (mm)	G (mm)	H (mm)	J (mm)	K (mm)	Weight (kgs)
	1st stage	2nd stage		1st stage	2nd stage											
P1000A	20	700	1000	5.8	0.9	694	568	140	140	658.5	50	3/8"-NPT	125	—	—	6.6
P1000B	20	700	1000	5.8	0.9	741	568	140	140	683.5	50	3/8"-NPT	125	—	—	8.3
P1000D	20	700	1000	5.8	0.9	731	568	140	140	678.5	50	3/8"-NPT	125	171	185	7.7