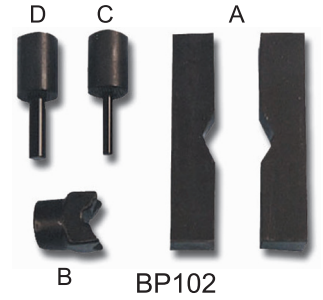


MODEL: SP1301 / SP1401

Capacity: 10 Tons

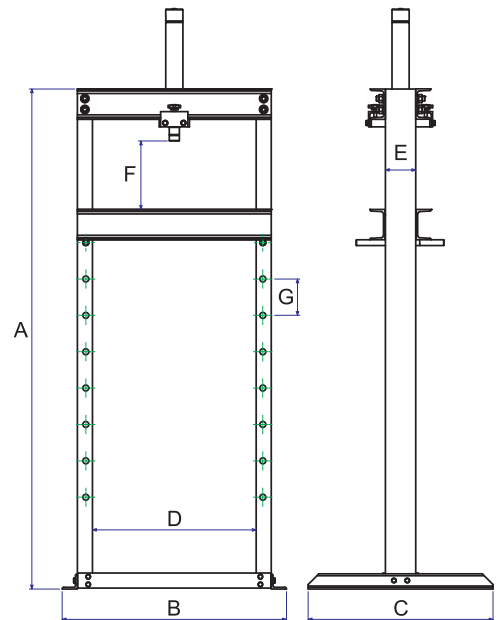


FEATURES

- Rugged steel frame provides maximum firmness to prevent bending.
- Multiple working position for press bed.
- Steel cross support prevent the frame from bending while loading.
- Single-acting and spring return cylinders with 10" stroke is horizontal movement on head channel.
- Available in 10 Tons models, with optional manual or air-hydraulic pump.

Accessory Set

	A	B	C	D	
Part No. / Item	Long V-block	V base	Ram pushing adapter	Ram pushing adapter	Weight (kgs)
BP102	E0650	E0175	B0547 (1/2" shank)	B0548 (3/4" shank)	9.5



SPECIFICATIONS

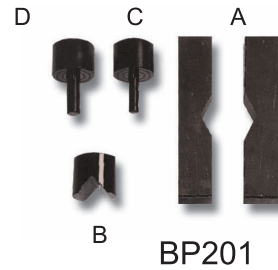
Model No.	Capacity (ton)	Stroke (mm)	Pump Model	A (mm)	B (mm)	C (mm)	D (mm)	E (mm)	F (mm)	G (mm)	Weight (kgs)
SP1301	10	254	HB700	1650	740	610	540	100	255-1065	120	87
SP1401	10	254	PTS900A	1650	740	610	540	100	255-1065	120	90

MODEL: SP2101 / SP2201 / SP3201

Capacity: 20 -30 Tons



SP2201

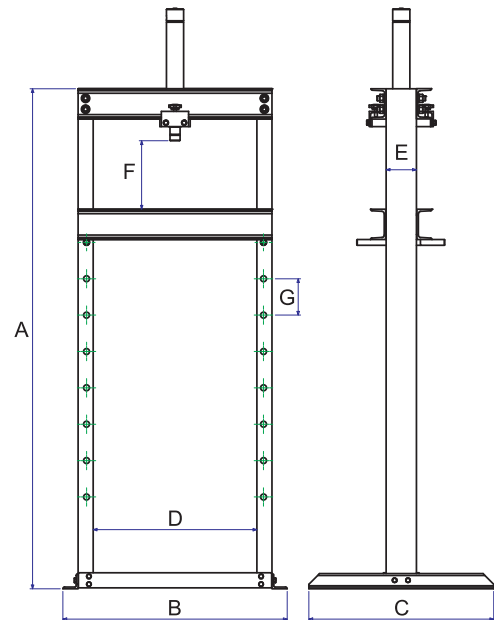


FEATURES

- Rugged steel frame provides maximum firmness to prevent bending.
- Multiple working position for press bed.
- Steel cross support prevent the frame from bending while loading.
- Single-acting and spring return cylinders with 5" & 8" stroke is horizontal movement on head channel.

Accessory Set

	A	B	C	D	
Part No. / Item	Long V-block	V base	Ram pushing adapter	Ram pushing adapter	Weight (kgs)
BP201	E0662	E0064	B0562 (3/4" shank)	B0563 (1" shank)	17.0



SPECIFICATIONS

Model No.	Capacity (ton)	Stroke (mm)	Pump Model	A (mm)	B (mm)	C (mm)	D (mm)	E (mm)	F (mm)	G (mm)	Weight (kgs)
SP2101	20	128	HB700	1650	790	700	510	125	233-1072	120	183
SP2201	20	128	PTS900A	1650	790	700	510	125	233-1072	120	186
SP3101	30	204	HC1500	1631	920	700	620	150	306-1025	120	244
SP3201	30	204	PTS900A	1631	920	700	620	150	306-1025	120	249

MODEL: HSP50T / HSP100T

Capacity: 50-100 Tons



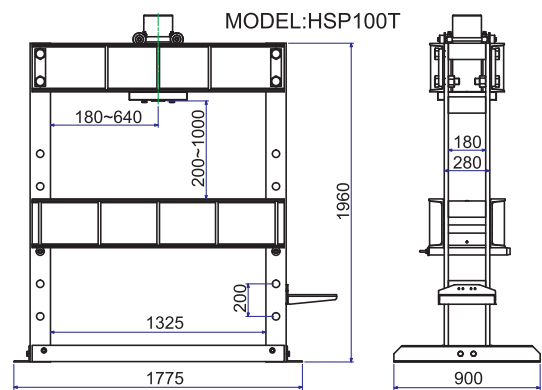
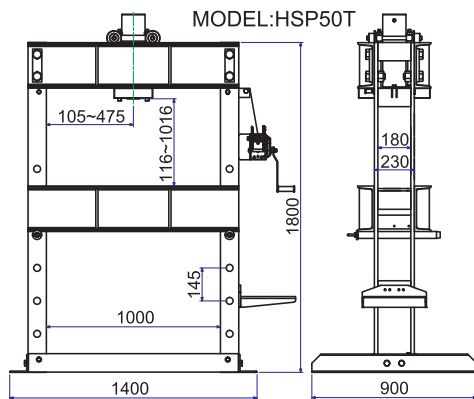
HSP50T



HSP100T

FEATURES

- Ideal for the pressing job in the workshops.
- Rugged steel frame provide maximum rigidity and never bended.
- Multiple working positions for press bed.
- Steel cross brace prevents the frame from spreading under the load.
- 100 Ton, Single Acting, 13" Stroke Cylinder is available for requesting.
- 100 Ton, Double Acting, 18" Stroke Cylinder is available for requesting.
- 50 Ton shop presses: Hand Pump, Air Pump & Electric Pump are available upon request.
- 100 Ton shop presses: Electric Pump is available as the optional version.



Specifications for reference:

Model No.	Capacity (ton)	Stroke (mm)	Pump Type	Max. Pressure Output (psi)	Reservoir Capacity (c.c.)	Motor	Weight (kg)	Accessory Set *
HSP5013H	50	330	HP80	10,000	7,000	-	440	* Long V-Blocks
HSP5013S	50	330	EP18S	10,000	8,000	0.45kW / 220V 50/60 Hz Single Phase	480	* V-Base
HSP5018D	50	457	EP18D	10,000	8,000	0.45kW / 220V 50/60 Hz Single Phase	480	* Ram pushing adaptor
HSP10013S	100	330	EP211S	10,000	11,000	1.12kW 220V 50/60 Hz, Single Phase	840	* Long V-Blocks
HSP10018D	100	457	EP211D	10,000	11,000	1.12kW 220V 50/60 Hz, Single Phase	840	* V-Base

*The above accessory sets will be changed according to the Selected Cylinder.