

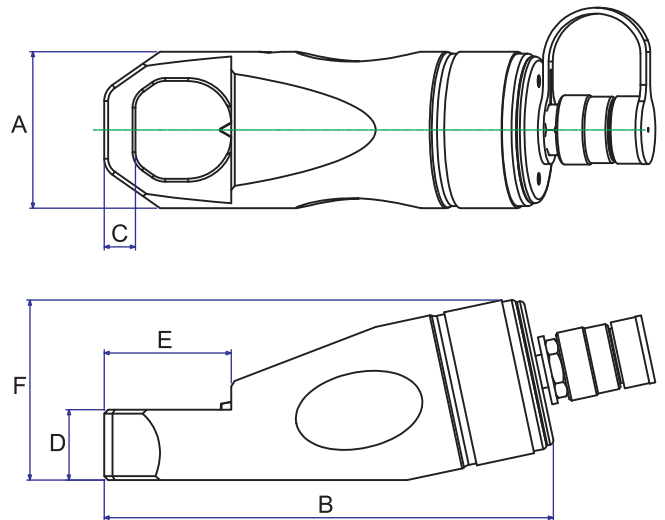
## MODEL: HNS SERIES

Capacity: 10 - 50 Tons



### FEATURES

- Compact design used in confined space with enough force to split the rusted nuts.
- All models feature a rugged one-piece cutting frame coupled to a heavy-duty hydraulic cylinder.
- Specially designed " tool steel " cutter blade cuts the nut to the precise point where it cracks.
- Unique angled head design to keep full contact with the nut being penetrated.
- Unique angled cutter blade with radius to have the greater resistance to cutting and breaking nuts.
- 5 popular models applicable to cover the most range of nuts.



### SPECIFICATIONS

Model No.	Hexagon Nut Range (mm)	Bolt Range (mm)	Capacity (ton)	Oil Capacity (c.c.)	Dimensions(in)						Weight (kg)
					A(mm)	B(mm)	C(mm)	D(mm)	E(mm)	F(mm)	
HNS1924	19-24	M12-M16	10	18	60	171.5	10	25	40	68	2.6
HNS2432	24-32	M16-M22	15	40	70	192	13	30	52	79	3.6
HNS3241	32-41	M22-M27	20	68	80	230	16	36	65	92	5.5
HNS4150	41-50	M27-M33	35	150	100	286	21	45	76	116	11.2
HNS5060	50-60	M33-M39	50	250	117	321	24	54.5	92	134	15.1

Notes: The Hardness of Nut Material must not exceed HRc-44.  
Should not be used on stainless steel nuts and/or square shape nuts.