

Single Acting Load Return, Non-Stop Ring, Bore Seal Design Cylinders

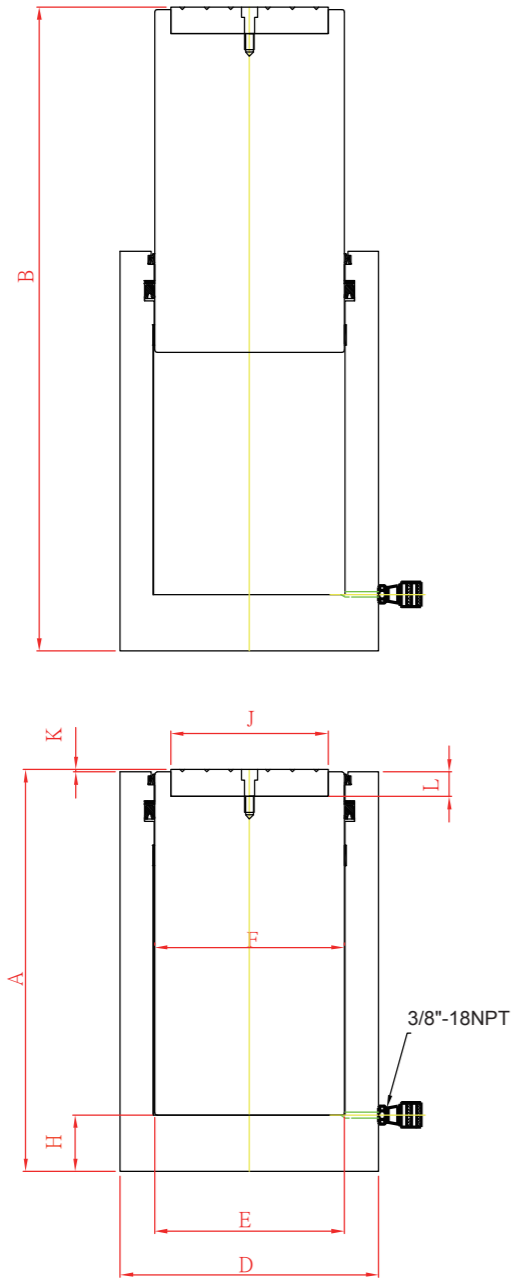


Capacity:
50-1,500 Tons

Stroke:
50-500 mm

Max. Operating Pressure:
700bar/10,000psi

SLNB Series



Model No.	Capacity	Stroke	Piston Area	Oil Volume
	Ton/Kn	mm	cm ²	cm ³
SLNB-502	50	50	78.54	393
SLNB-506		150	78.54	1178
SLNB-5012		300	78.54	2356
SLNB-5020	100	500	78.54	3927
SLNB-1002		50	143.14	716
SLNB-1006		150	143.14	2147
SLNB-10012	300	143.14	4294	
SLNB-10020	150	500	143.14	7157
SLNB-1502		50	213.82	1069
SLNB-1506		150	213.82	3207
SLNB-15012	300	213.82	6415	
SLNB-15020	200	500	213.82	10691
SLNB-2002		50	283.53	1418
SLNB-2006		150	283.53	4253
SLNB-20012	300	283.53	8506	
SLNB-20020	500	283.53	14176	
SLNB-2502	250	50	363.05	1815
SLNB-2506		150	363.05	5446
SLNB-25012		300	363.05	10892
SLNB-25020	500	363.05	18153	
SLNB-3002	300	50	433.74	2169
SLNB-3006		150	433.74	6506
SLNB-30012		300	433.74	13012
SLNB-30020	500	433.74	21687	
SLNB-4002	400	50	572.55	2863
SLNB-4006		150	572.55	8588
SLNB-40012		300	572.55	17177
SLNB-40020	500	572.55	28628	
SLNB-5002	500	50	730.62	3653
SLNB-5006		150	730.62	10959
SLNB-50012		300	730.62	21919
SLNB-50020	500	730.62	36531	
SLNB-6002	600	50	865.70	4328
SLNB-6006		150	865.7	12985
SLNB-60012		300	865.70	25970
SLNB-60020	500	865.7	43285	
SLNB-8002	800	50	1164.16	5821
SLNB-8006		150	1164.16	17462
SLNB-80012		300	1164.16	34925
SLNB-80020	500	1164.16	58208	
SLNB-10002	1000	50	1452.20	7261
SLNB-10006		150	1452.2	21783
SLNB-100012		300	1452.20	43566
SLNB-100020	500	1452.2	72610	
SLNB-12002	1200	50	1735.00	8675
SLNB-12006		150	1735	26024
SLNB-120012		300	1735.00	52048
SLNB-120020	500	1735	86747	
SLNB-15002	1500	50	2206.20	11031
SLNB-15006		150	2206.2	33093
SLNB-150012		300	2206.20	66186
SLNB-150020	500	2206.2	110309	

Single Acting Load Return, Non-Stop Ring, Bore Seal Design Cylinders

- SLNB Series high tonnage single acting hydraulic cylinders are designed specifically for heavy lifting
- Single-acting, load return, non-stop ring
- Cylinder wall seal design, keep piston lubricated all the time
- Overflow port functions as a stroke limiter
- Special synthetic coating on external surface and plated chrome pistons provide superior corrosion resistance
- C8F coupler and dustcap included on all models
- Customized capacity and strokes available

Collapsed Height	Extended Height	Cylinder Dia.	Bore Dia.	Plunger Dia.	Port Height	Saddle Dia.	Saddle Protrusion from Plunger	Saddle Groove Height	Weight	Model No.
A	B	D	E	F	H	J	K	L	kgs	
150	200	135	100	100	30	75	3	20	16	SLNB-502
270	420	135	100	100	30	75	3	20	30	SLNB-506
440	740	135	100	100	30	75	3	20	49	SLNB-5012
705	1205	135	100	100	50	75	3	20	79	SLNB-5020
164	214	185	135	135	40	100	3	20	34	SLNB-1002
274	424	185	135	135	40	100	3	20	57	SLNB-1006
449	749	185	135	135	40	100	3	20	94	SLNB-10012
709	1209	185	135	135	60	100	3	20	149	SLNB-10020
174	224	220	165	165	50	130	3	20	52	SLNB-1502
289	439	220	165	165	50	130	3	20	86	SLNB-1506
469	769	220	165	165	50	130	3	20	140	SLNB-15012
714	1214	220	165	165	70	130	3	20	213	SLNB-15020
184	234	255	190	190	55	155	3	25	73	SLNB-2002
294	444	255	190	190	55	155	3	25	118	SLNB-2006
464	764	255	190	190	55	155	3	25	186	SLNB-20012
719	1219	255	190	190	75	155	3	25	288	SLNB-20020
194	244	290	215	215	65	175	3	25	74	SLNB-2502
304	454	290	215	215	65	175	3	25	158	SLNB-2506
499	799	290	215	215	65	175	3	25	259	SLNB-25012
804	1304	290	215	215	65	175	3	25	417	SLNB-25020
203	253	320	235	235	70	195	3	30	128	SLNB-3002
313	463	320	235	235	70	195	3	30	198	SLNB-3006
498	798	320	235	235	70	195	3	30	315	SLNB-30012
813	1313	320	235	235	70	195	3	30	514	SLNB-30020
220	270	370	270	270	85	225	5	30	186	SLNB-4002
330	480	370	270	270	85	225	5	30	279	SLNB-4006
515	815	370	270	270	85	225	5	30	435	SLNB-40012
810	1310	370	270	270	85	225	5	30	685	SLNB-40020
240	290	410	305	305	95	255	5	30	249	SLNB-5002
350	500	410	305	305	95	255	5	30	363	SLNB-5006
540	840	410	305	305	95	255	5	30	560	SLNB-50012
845	1345	410	305	305	95	255	5	30	877	SLNB-50020
248	298	450	332	332	100	280	5	30	310	SLNB-6002
358	508	450	332	332	100	280	5	30	448	SLNB-6006
548	848	450	332	332	100	280	5	30	685	SLNB-60012
853	1353	450	332	332	100	280	5	30	1067	SLNB-60020
263	313	520	385	385	115	330	5	35	439	SLNB-8002
365	515	520	385	385	115	330	5	35	610	SLNB-8006
575	875	520	385	385	115	330	5	35	960	SLNB-80012
890	1390	520	385	385	115	330	5	35	1487	SLNB-80020
305	355	580	430	430	130	370	5	40	634	SLNB-10002
405	555	580	430	430	130	370	5	40	842	SLNB-10006
590	890	580	430	430	130	370	5	40	1225	SLNB-100012
905	1405	580	430	430	130	370	5	40	1880	SLNB-100020
335	385	640	470	470	145	400	10	50	848	SLNB-12002
445	595	640	470	470	145	400	10	50	1126	SLNB-12006
615	915	640	470	470	145	400	10	50	1557	SLNB-120012
925	1425	640	470	470	145	400	10	50	2340	SLNB-120020
360	410	720	530	530	160	420	10	60	1153	SLNB-15002
460	610	720	530	530	160	420	10	60	1473	SLNB-15006
640	940	720	530	530	160	420	10	60	2050	SLNB-150012
940	1440	720	530	530	160	420	10	60	3010	SLNB-150020