



**PBP12E** Electric Hand Pallet Truck 1.2t

---

# PBP12E

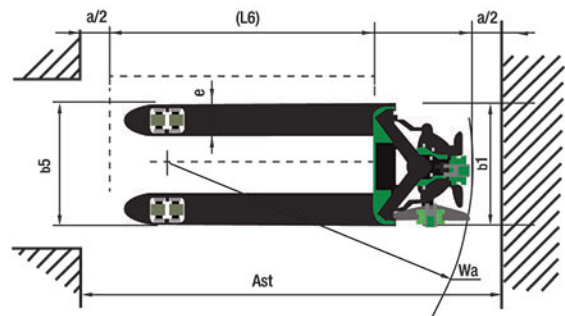
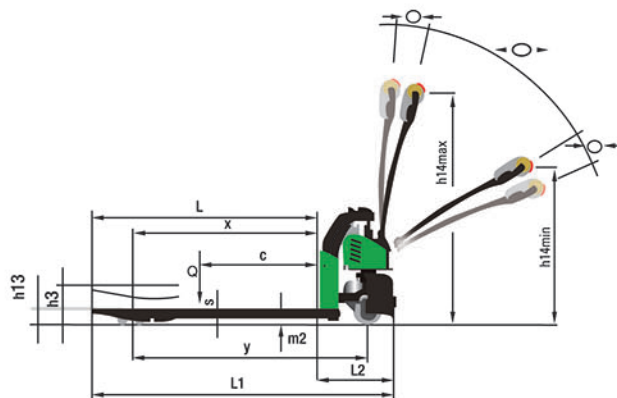
## Electric Hand Pallet Truck 1.2t

Characteristics				
1.1	Model designation			PBP12E
1.2	Power unit			Battery
1.3	Operator type			Pedestrian
1.4	Lowering type			Manual
1.5	Load capacity	Q	kg	1200
1.6	Load centre	c	mm	600
1.7	Axle centre to fork face	x	mm	950
1.8	Wheelbase	y	mm	1190
Weights				
2.1	Service weight (Include battery)		kg	130
2.2	Axle loading with load, driving side/loading side		kg	420/910
2.3	Axle loading without load, driving side/loading side		kg	110/20
Wheels/Tyres				
3.1	Tyre type driving wheels/loading wheels			PU/PU
3.2	Tyre size, driving wheels (diameter*width)		mm	Φ 210x70
3.3	Tyre size, loading wheels (diameter*width)		mm	Φ 80x60
3.4	Wheels, number driving/loading (x=drive wheels)		mm	1x+2/4
Dimensions				
4.1	Lift height	$h_3$	mm	115
4.2	Height of tiller arm in driving position, min./max.	$h_{14}$	mm	750/1190
4.3	Fork height lowered	$h_{13}$	mm	80
4.4	Overall length	$l_1$	mm	1540
4.5	Length to fork face	$l_2$	mm	390
4.6	Overall width	$b_1$	mm	560
4.7	Fork dimensions	s/e/l	mm	53/150/1150
4.8	Distance between fork-arms	$b_5$	mm	560
4.9	Ground clearance, center of wheelbase	$m_2$	mm	27
4.10	Aisle width for pallets 1000 x 1200 crossways	$A_{st}$	mm	1640
4.11	Aisle width for pallets 800 x 1200 lengthways	$A_{st}$	mm	1840
4.12	Turning radius	$W_a$	mm	1390
Performance				
5.1	Travel speed, with/without load		km/h	4/4.5
5.2	Lifting speed, with/without load		m/s	0.02/0.025
5.3	Lowering speed, with/without load		m/s	0.09/0.05
5.4	Max. gradeability, with/without load		%	4/10
5.5	Service brake			electric
Drive				
6.1	Drive motor rating 60 min*		kW	0.65
6.2	Lift motor rating at 15%		kW	0.5
6.3	Battery type			Li-ion
6.4	Battery voltage/rated capacity(5h)		V/Ah	24/20
6.5	Battery weight		kg	5.1
6.6	Power consumption according to VDI cycle		KW/h	0.25
Others				
8.1	Type of drive control			DC
8.2	Noise at the driver's ear			<74

Note: For detailed customization, features and benefits of the truck, please contact your local dealership for more information.

Improvement made to truck may result in changes to the truck parameters.

\*Standard drive motor 0.65kW continuous work hour is approximate 2.5 hours.



### ● Standard

Lithium battery  
Life cycle around 1500

Brake type  
Electric (PBP12E only)

### ● Option

Brake type  
Electric with manual release (PBP12E only)

# World's Innovative **ULTRA** lightweight mover powered by **SMART** design

Be impressed by the MLIFT newest **24V TINZY series - PBP12E**. Equipped with the state of the art **lithium technology** that coupled **quick charging capability** with the usage of a **SMART & compact** lithium pack has revolutionised the way how forklift trucks operate in the material handling businesses.

With its newly designed **effortless tiller arm**, steering is made easier with its lightweight capability to **steer 180 degrees each way** to minimize turning radius while handling a **maximum load capacity of 1.2 Tonnes**. It is also an excellent choice to work in a limited small working space that is suitable to be **deployed in most space demanding applications**.

Experience the **DIFFERENCE** now and **DOUBLE** your productivity with the new PBP12E!



## ✓ Automatic Power Shut Down System

- Truck left idle will automatically shut down helps to save the truck battery power and extend the battery life

## ✓ Contactless Key Switch

- Stylish magnetic key for enhanced security and limit unauthorized usage among operator

## ✓ Multifunctional Digital Display & Controls

- LED display of the truck status - Battery level, On/Off status, Running Hours and Fault Code
- Integrated truck controls for simplified truck handling within the operator ease of fingers reach

## ✓ Hassel free FAST charging

- State of the art quick full battery charge up to 2.5hrs that can last between 2.5 to 3 hours continuous work cycle.
- Compact size wall mounted 10 Amp charging pod makes charging of battery easier, and save space

## ✓ One Step Battery Exchange

- Simple battery exchange design via quick plug in/out design from the battery slot  
Ultra lightweight 5.1 kg battery pack



## ✓ Ultra Lightweight Steering with Tight Turning Radius

- Suitable for narrow space operator steers up to 1390mm turning radius
- Longer Tiller arm design with superb lightweight structure promote effortless steering experience

## **KEY** productivity Options:

- Pallet entry assists rollers.



## *Think Mobile. Lift Simple*

At MLIFT, we position ourselves as the leading material handling specialists, took pride and relentless effort to understand each industry challenges and deliver unique LIFT SOLUTIONS to optimize productivity for businesses.

We uphold our core belief in developing trucks that possess high-level MOBILITY to accomplish high demanding taskings with an exceptional touch of practical and realistic design to suit most applications.



2020 by MLAP, All Rights Reserved.  
All Trademarks are the property of their respective owners.  
Printed in Singapore.  
FML00001 (09/20)