

## MODEL:PR SERIES



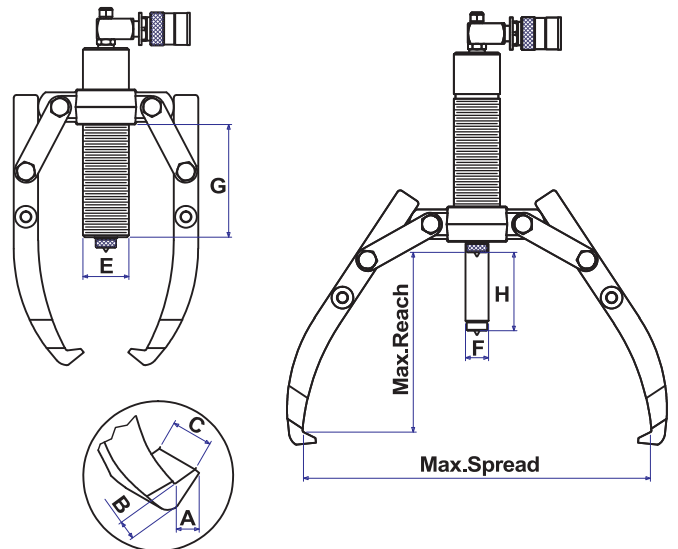
### FEATURES

- Heat treated & chrome plated hydraulic cylinder rod provides linear force.
- Easily release valve.
- Spring loaded live centering nut for easy job (removable).
- 2/3 jaws combination puller cross head with manganous-phosphate plated for rust proof and durability.
- Heat treated forged alloy steel cross bolts & jaws with manganous-phosphate plated for rust proof and long life service.
- Suggested Hand Pumps:  
4 ~ 12 Ton: PB600BG or AHP701BG  
20 ~ 30 Ton: PB700BG or AHP702BG



### ACCESSORIES

Model No.	Part No.	Length of Long Arm (mm)	Max. Reach	Max. Spread
PR400	C0948	295	222	300
PR800	C0950	395	308	445
PR1200	C0951	435	340	420
PR2000	C0960	555	428	540
PR3000	C0961	555	428	620



### SPECIFICATIONS

Capacity	Model No.	Reach (Max. mm)	Spread (Max. mm)	Stroke (mm)	Pump Tip (mm)			Jaw Tip (mm)			Weight (kg)
				H	E	F	G	A	B	C	
4 Ton	PR400	185	255	60	42	22	84	11	6	22	8.0
8 Ton	PR800	230	350	85	50	25	122	11	10	25	12.0
12 Ton	PR1200	270	375	85	60	28	118	14	10	29	12.7
20 Ton	PR2000	360	520	111	80	40	161	20	27	33	39.3
30 Ton	PR3000	360	550	111	98	50	155	20	27	38	51.5