

TIRE DEALERS

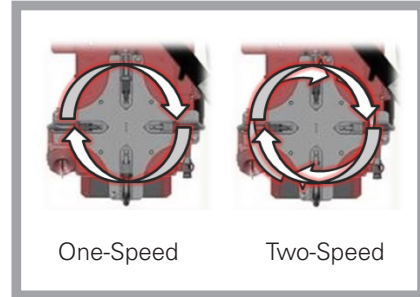
Maximize Uptime With The Most Durable Products

GTS-70 TILT-BACK TIRE CHANGER

Coats® Reliability and
Durability Meets
Tilt-back



Two-Speed Electric Motor



The Coats® two-speed electric motor provides total control based on application difficulty.

Robo-Assist Helper Device



The Robo-Assist provides direct pressure on the tire sidewall to create a bead lock.

Rim Protection Tower



This spring mechanical design reduces wheel damage and stays locked in place.

To learn more about the Coats GTS-70 tire changer, or any of our other quality products, contact your authorized Coats distributor or call **1-855-876-3864** for the dealer nearest you.

GOATS®

CONTACT US NOW

www.coatsgarage.com
or call 1-855-876-3864



GTS-70 TILT-BACK TIRE CHANGER

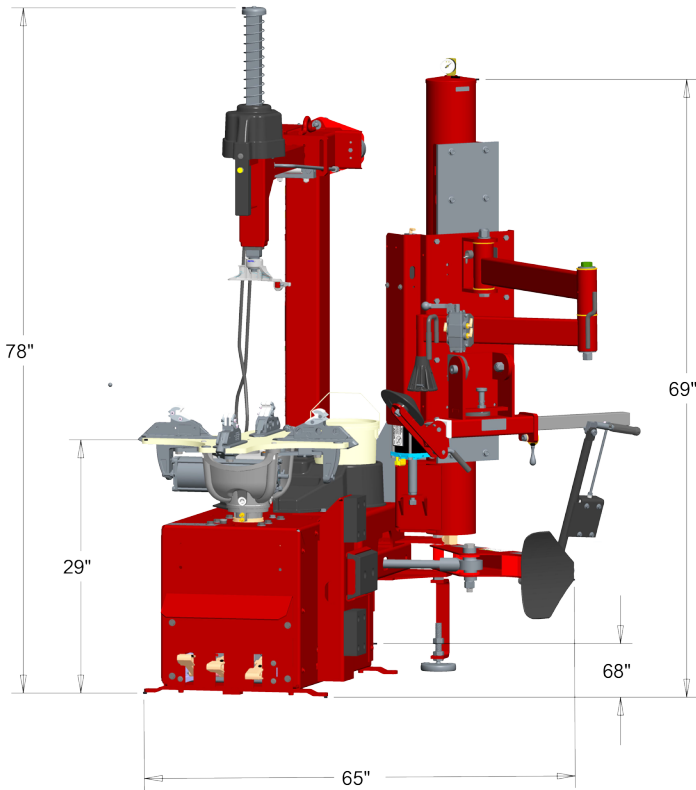
GTS-70 TILT-BACK TIRE CHANGER

RELIABLE. DURABLE. TILT-BACK.

SPECIFICATIONS

Wheel Handled	Alloy and Steel for Car and Light Truck
Rim Diameter	6" - 24" External
Maximum Tire Diameter	38" Max
Maximum Rim Width	14" Max
Bead Loosening System	Power In, Out & Freeze Hand Controlled Air Cylinder; Up to 17"
Wheel Clamping System	4 Clamps, Air Cylinder Operated
Mount/Demount Mechanism	Tilt-back Tower
Helper Devices	Robo-Assist Powered Roller Disk
Bead Seating Air Volume	Vertical 3.8 Gallons in Tower
Inflation Gauge	0 - 60 psi
Air Supply Gauge	0 - 300 psi
Electric Drive System	1 HP, 2-Speed Electric Motor, 115 V, 60 Hz, 15amp
Footprint	65"w x 68"d x 78"h
Ship Weight	935 lbs.
Warranty	3 Year Parts, 6 Months Labor
Part Number	85610076

EQUIPMENT FOOTPRINT



ACCESSORIES

* Included With Purchase

Part Number	Description
*8183606	Bead Loosener Shoe Socks - 2
*85009048	Paste Lube Bracket & Brush
*8183710	Paste Lube
*85607787	Grip-Max® Plus Clamps - 4
*8560716108	Grip-Max® Plus Grips - 8
*8182961	Duckhead® Mount/Demount Tool Inserts - 2
*85000783	Lift Tool Socks - 10
*8183604	Steel Clamp Booties
*830084031	Nylon Duckhead® Mount/Demount Tool
*81827881	Steel Duckhead® Mount/Demount Tool
*81813541	Lift Tool

RECOMMENDED OPTIONAL ACCESSORIES



EL-X Express Lane
Inflation System
(PN 85607770)



Point of Use Lift System
(PN 85608609)



Auxiliary Bead Sealer (ABS)
(PN 85606545)

COATS®