

MODEL: PH SERIES

3/8" NPT pressure port

Max Volume/Stroke: 2.36 - 34 c.c.

Max. working pressure: 52 - 827 bar



PH1003



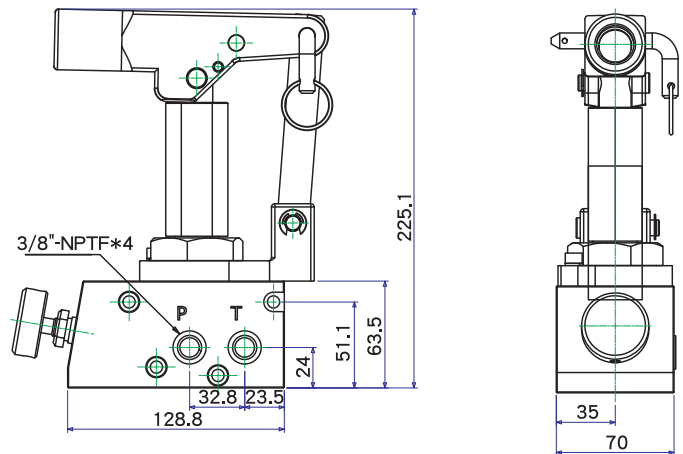
PH1004



PH1006

FEATURES

- The aluminum alloy pump block manifold and forged pump housing are ideally for easy portability maneuvering and flexible fixture.
- Can be used to pressurize water, chemical liquids to run the pipe leakage testing and maintenance jobs.
- Wide range of operating pressure to select from.



SPECIFICATIONS

Model No.	Operating Pressure (bar)	Volume per Stroke (cm ³)	Max. Handle Effort (kg)	Weight (kg)
PH1003	827	2.36	30	4.4
PH1004	448	3.80	25	5.5
PH1006	206	8.50	26	5.9
PH1008	69	14.70	15	6.1
PH1012	52	34.0	26	5.7

