

# Model 600S

## TELESCOPIC BOOM LIFTS



### MORE ECONOMIC

- Lower hydrocarbon, carbon monoxide, particulate and NOx emissions with Stage IIIB-compliant engine.

### MORE PRODUCTIVE

- Equipped with hydrostatic drive for easy, precise, infinitely-variable-speed manoeuvrability.

### MORE ACCESS

- Conquer rough terrain with standard oscillating axle and four-wheel drive, delivering optimised grip and stability.

### SMART DESIGN

- Fewer buttons and switches used to position the platform and less time spent learning to use the platform controls.



### Standard Features

- 0.91 m x 1.83 m low mount platform
- Side entry with drop bar mid rail
- Multiple function operation
- Full proportional drive joystick control with integral thumb steer switch
- Full proportional main boom and swing joystick control
- Multiple speed control for telescope and platform rotate
- Selectable creep speed on drive / lift and swing functions
- 160 degree powered platform rotator
- Platform console machine status light panel<sup>1</sup>
- Load sensing system
- AC cable to platform
- Gull-wing hoods
- Engine distress warning/shut down system<sup>2</sup>
- Swing-out engine tray
- Control ADE™ - Advanced Design Electronics System
- Hydrostatic drive transmission
- Horn
- 3 degree tilt alarm and indicator light
- Lifting/tie down lugs
- Hour meter
- Ground control selector switch with key lock
- Platform tool tray
- 12V DC auxiliary power
- Four wheel drive
- Oscillating front axle
- Cast Aluminum Control Box
- JLG Skyguard active system

<sup>1</sup> Provides indicator lights at platform control console for system distress, low fuel, tilt light, and foot switch status.

<sup>2</sup> Low oil pressure and high coolant temperature alarms with shut-down enabled/disabled by analyser.

### Standard Specifications

<b>Power Source</b>	
• Diesel Engine Deutz D2011L04	36.4 kW
• Fuel Tank Capacity	151 L
<b>Hydraulic System</b>	
• Hydraulic System	151 L
• Auxiliary Power	12V DC
<b>Tyres</b>	
• Tyres	39 x 15-22.5 Foam Filled

<sup>3</sup> Available when integrated with the SkyPower® package.

<sup>4</sup> Consists of six 40-watt lights, four turntable mounted lights and two platform mounted lights.

<sup>5</sup> Available only with two wheel drive on models 600S and 660S1.

<sup>6</sup> Includes all-motion alarm and flashing amber beacon.

<sup>7</sup> Includes platform mounted work lights and head & tail lights.

<sup>8</sup> Includes console cover, boom wipers and cylinder bellows.

### Accessories & Options

- 0.91 m x 2.44 m slide bar side entry platform
- 0.91 m x 2.44 m Self closing inward swing gate
- 13 mm air line to platform
- Four Wheel Steer/Two Wheel Steer
- 15 x 19.5 foam filled non marking tyres
- On-board 4,000 W generator
- SkyPower® package 7,500 watt on-board generator
- SkyWelder® package 250 amp welder in the platform<sup>3</sup>
- Nite-Bright® package<sup>4</sup>
- Tow Package<sup>5</sup>
- All motion alarm
- Alarm package<sup>6</sup>
- Light package<sup>7</sup>
- Head and tail lights
- Flashing amber beacon
- Euro Plug & Socket
- Hostile environment kit<sup>8</sup>
- Hydraulic oil cooler
- Catalytic Exhaust Purifier
- Soft Touch 0.91 m x 1.83 m Platform Proximity System
- Soft Touch 0.91 m x 2.44 m Platform Proximity System
- Soft Touch 0.91 m x 2.44 m fall arrest system
- Skyguard beacon (ILOS)
- Arctic package
- Generator hourmeter
- Synthetic Biodegradable Hydraulic Oil
- Platform worklights
- Fixed Axle
- Two Wheel Drive
- Special paint colour
- Tow Bar

# Model 600S

## TELESCOPIC BOOM LIFTS

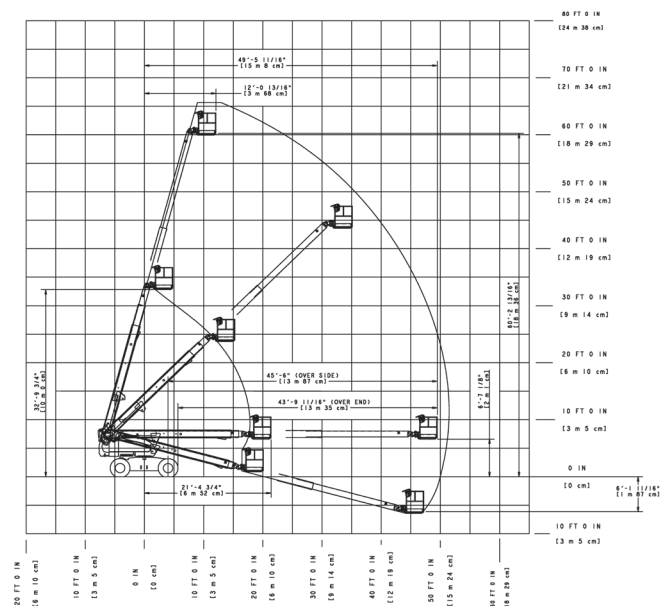
### Performance

• Working Height	20.36 m
• Working Outreach	15.74 m
• Swing (Continuous)	360°
• Platform Capacity – Unrestricted	230 kg
• Platform Rotator (Hydraulic)	160°
A. Platform Size	0.91 m x 1.83 m
B. Overall Width	2.49 m
C. Tailswing (working condition)	1.14 m
D. Stowed Height	2.57 m
E. Overall Length	8.65 m
F. Wheelbase	2.48 m
G. Ground Clearance	0.30 m
• Stowed Length	8.51 m
• Machine weight <sup>1</sup>	10,370 kg
• Maximum Ground Bearing Pressure	4.70 kg/cm <sup>2</sup>
• Maximum Tyre Load	5,354 kg
• Drive Speed 4WD	6.8 km/h
• Gradeability 4WD	45%
• Axle Oscillation (optional)	0.20 m
• Turning Radius – Inside 4WS	1.40 m
• Turning Radius – Outside 4WS	2.89 m

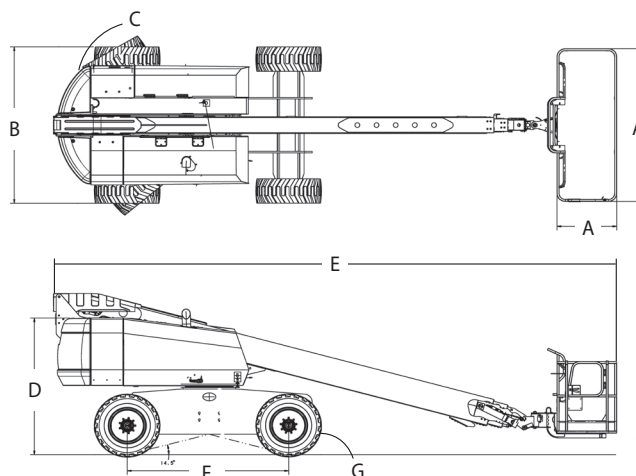
<sup>1</sup> Certain options or country standards may increase weight and/or dimensions.



### Reach Diagram



### Dimensions



### IMPORTANT

JLG is continually researching and developing products and reserves the right to make modifications without prior notice. All data in this document is indicative. Certain options or country standards will increase weight. Specifications may change to meet country standards or with the addition of optional equipment.

Due to continuous product improvements, JLG Industries reserves the right to make specification and/or equipment changes without prior notification.



### JLG EMEA BV

Polaris Avenue 63  
2132 JH Hoofddorp  
The Netherlands  
Tel: +31 (0)23 565 5665  
Fax: +31 (0)23 557 3750  
[www.jlg.com](http://www.jlg.com)

An Oshkosh Corporation Company