

Single Acting Load Return, Non-Stop Ring Tilt Saddle Design Cylinders

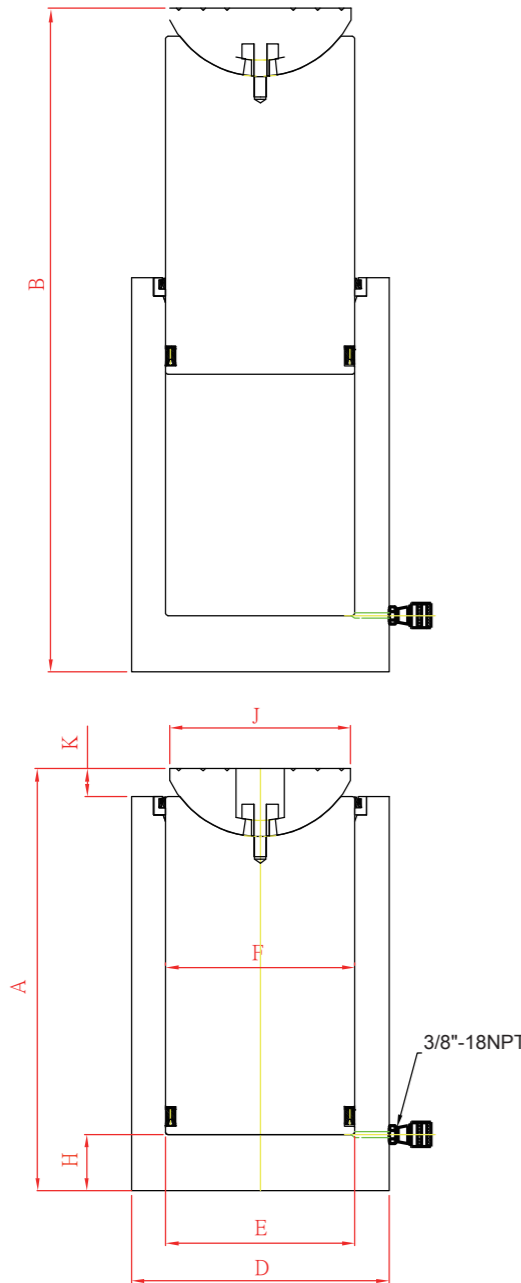


Capacity:
50-1,500 Tons

Stroke:
50-500 mm

Max. Operating Pressure:
700bar/10,000psi

SLT Series



Model No.	Capacity	Stroke	Piston Area	Oil Volume
	Ton/Kn	mm	cm ²	cm ³
SLT-502	50	50	78.54	392
SLT-506		150	78.54	1178
SLT-5012		300	78.54	2356
SLT-5020	100	500	78.54	3927
SLT-1002		50	143.14	715
SLT-1006		150	143.14	2147
SLT-10012	300	143.14	4294	
SLT-10020	150	500	143.14	7157
SLT-1502		50	213.82	1069
SLT-1506		150	213.82	3207
SLT-15012	300	213.82	6414	
SLT-15020	200	500	213.82	10691
SLT-2002		50	283.53	1417
SLT-2006		150	283.53	4253
SLT-20012	300	283.53	8506	
SLT-20020	250	500	283.53	14176
SLT-2502		50	363.05	1815
SLT-2506		150	363.05	5445
SLT-25012	300	363.05	10891	
SLT-25020	300	500	363.05	18152
SLT-3002		50	433.73	2168
SLT-3006		150	433.73	6506
SLT-30012	300	433.73	13012	
SLT-30020	400	500	433.73	21687
SLT-4002		50	572.55	2862
SLT-4006		150	572.55	8588
SLT-40012	300	572.55	17176	
SLT-40020	500	500	572.55	28627
SLT-5002		50	730.60	3653
SLT-5006		150	730.60	10959
SLT-50012	600	300	730.60	21918
SLT-50020		500	730.60	36530
SLT-6002		50	865.70	4328
SLT-6006	800	150	865.70	12985
SLT-60012		300	865.70	25971
SLT-60020		500	865.70	43285
SLT-8002	1000	50	1164.16	5820
SLT-8006		150	1164.16	17462
SLT-80012		300	1164.16	34924
SLT-80020	1200	500	1164.16	58208
SLT-10002		50	1452.20	7261
SLT-10006		150	1452.20	21783
SLT-100012	1500	300	1452.20	43566
SLT-100020		500	1452.20	72610
SLT-12002		50	1735.00	8674
SLT-12006	1500	150	1735.00	26024
SLT-120012		300	1735.00	52045
SLT-120020		500	1735.00	86747
SLT-15002	1500	50	2206.20	11031
SLT-15006		150	2206.20	33092
SLT-150012		300	2206.20	66185
SLT-150020	500	2206.20	110309	

Single Acting Load Return, Non-Stop Ring Tilt Saddle Design Cylinders

- SLT Series high tonnage single acting hydraulic cylinders are designed specifically for heavy lifting
- Single-acting, load return, non-stop ring
- Interchangeable, hardened grooved tilt saddles are standard
- Overflow port functions as a stroke limiter
- Special synthetic coating on external surface and plated chrome pistons provide superior corrosion resistance
- C8F coupler and dustcap included on all models
- Customized capacity and strokes available

Collapsed Height	Extended Height	Cylinder Dia.	Bore Dia.	Plunger Dia.	Port Height	Saddle Dia.	Saddle Protrusion from Plunger	Weight	Model No.
A	B	D	E	F	H	J	K		
mm	mm	mm	mm	mm	mm	mm	mm	kgs	
153	203	135	100	100	30	100	25	16	SLT-502
275	425	135	100	100	30	100	25	29	SLT-506
470	770	135	100	100	30	100	25	51	SLT-5012
770	1270	135	100	100	50	100	25	85	SLT-5020
175	225	185	135	135	40	135	25	35	SLT-1002
285	435	185	135	135	40	135	25	58	SLT-1006
480	780	185	135	135	40	135	25	99	SLT-10012
780	1280	185	135	135	60	135	25	163	SLT-10020
200	250	225	165	165	50	165	25	57	SLT-1502
300	450	225	165	165	50	165	25	90	SLT-1506
495	795	225	165	165	50	165	25	151	SLT-15012
795	1295	225	165	165	70	165	25	245	SLT-15020
210	260	255	190	190	55	185	30	79	SLT-2002
310	460	255	190	190	55	185	30	119	SLT-2006
505	805	255	190	190	55	185	30	197	SLT-20012
810	1310	255	190	190	80	185	30	320	SLT-20020
220	270	290	215	215	65	210	30	107	SLT-2502
320	470	290	215	215	65	210	30	159	SLT-2506
575	815	290	215	215	65	210	30	261	SLT-25012
795	1295	290	215	215	65	210	30	406	SLT-25020
230	280	320	235	235	70	225	35	134	SLT-3002
330	480	320	235	235	70	225	35	197	SLT-3006
525	825	320	235	235	70	225	35	321	SLT-30012
805	1305	320	235	235	70	225	35	498	SLT-30020
250	300	370	270	270	85	255	40	196	SLT-4002
350	500	370	270	270	85	255	40	281	SLT-4006
565	865	370	270	270	85	255	40	463	SLT-40012
825	1325	370	270	270	85	255	40	683	SLT-40020
265	315	410	305	305	95	280	45	253	SLT-5002
365	515	410	305	305	95	280	45	357	SLT-5006
585	885	410	305	305	95	280	45	586	SLT-50012
840	1340	410	305	305	95	280	45	851	SLT-50020
285	335	450	332	332	100	300	50	325	SLT-6002
385	535	450	332	332	100	300	50	450	SLT-6006
600	900	450	332	332	100	300	50	719	SLT-60012
850	1350	450	332	332	100	300	50	1032	SLT-60020
310	360	520	385	385	115	340	55	472	SLT-8002
410	560	520	385	385	115	340	55	639	SLT-8006
630	930	520	385	385	115	340	55	1007	SLT-80012
870	1370	520	385	385	115	340	55	1408	SLT-80020
340	390	580	430	430	130	380	60	642	SLT-10002
440	590	580	430	430	130	380	60	850	SLT-10006
660	960	580	430	430	130	380	60	1307	SLT-100012
890	1390	580	430	430	130	380	60	1786	SLT-100020
370	420	640	470	470	145	420	65	862	SLT-12002
470	520	640	470	470	145	420	65	1115	SLT-12006
690	990	640	470	470	145	420	65	1672	SLT-120012
930	1430	640	470	470	145	420	65	2280	SLT-120020
400	450	720	530	530	160	480	70	1184	SLT-15002
500	650	720	530	530	160	480	70	1504	SLT-15006
730	1030	720	530	530	160	480	70	2241	SLT-150012
980	1480	720	530	530	160	480	70	3042	SLT-150020