

MODEL: JLPC-SERIES

Capacity: 60 - 250 Tons

Stroke: 45 & 50 mm

Max. working pressure: 700 bar / 10,000 psi

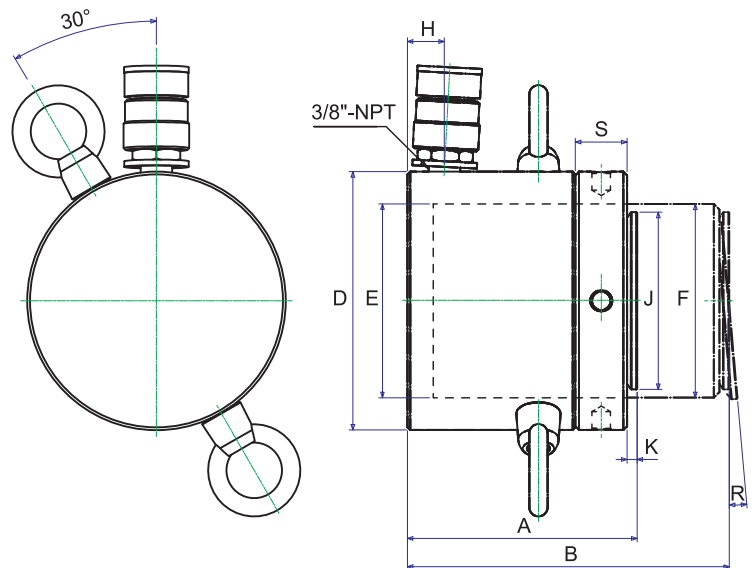
Load Return



FEATURES

- Extremely low height for use in confined areas.
- Single-acting, load return.
- Lock nut for positive and safe load holding over a long period of time.
- Chrome plated for preventing corrosion and lower friction for smoother operation.
- Withstands sideload forces up to 3% of rated cylinder capacity without scoring.
- Overflow port functions as a stroke limiter.
- High flow coupler and dust cap included on all models.

MODEL: JLPC60 - 250



Hand / Foot Pumps Page 19-30



Power Pumps Page 31-42



SPECIFICATIONS

Model No.	Cylinder Capacity (ton)	Stroke (mm)	Cylinder Effective Area (cm ²)	Oil Capacity (c.c.)	Collapsed Height A (mm)	Extended Height B (mm)	Outside Diameter D (mm)	Cylinder Bore Diam E (mm)	Plunger Diameter F (mm)	Base to Advance Port H (mm)	Saddle Diameter J (mm)	Saddle Protrusion from Plunger K (mm)	Saddle Max. Tilt Angle R	Lock Nut Height S (mm)
JLPC602	60	50	86.6	433	124	174	140	105	Tr105x6	20	96	5	5°	28
JLPC1002	100		143	715	137	187	175	135	Tr135x6	21	126	8	5°	31
JLPC1502	150		214	963	148	193	220	165	Tr165x6	27	150	9	5°	40
JLPC2002	200	45	283	1273.5	155	200	245	190	Tr190x6	30	180	10	5°	43
JLPC2502	250		363	1633	159	204	275	215	Tr215x6	32	200	11	5°	44