

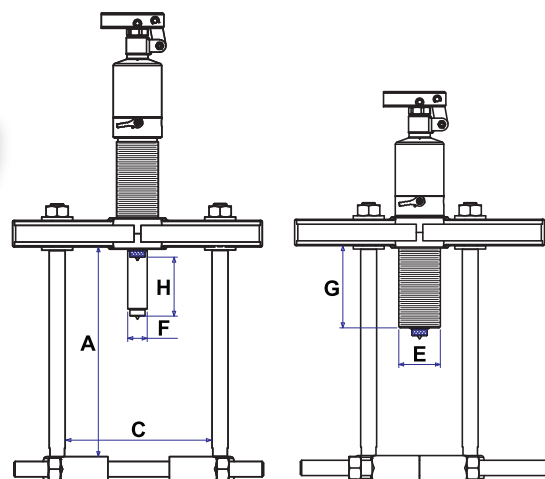
# Universal Bearing Attachments Cross Bearing Pullers

**HYDROLUTION**<sup>®</sup>  
INTEGRATED HYDRAULIC SOLUTIONS. ASIA FORCE



## FEATURES

- Forged of high strength steel alloy.
- Heat treated, Chrome plated for rust proof and durable life.
- Wedge-shaped edges allow removal of the most hard-to-grip components.
- Cross bearing pullers are easy to be applied on the most difficult parts for fast and efficient removal.



## TECHNICAL DATA - Cross Bearing Pullers

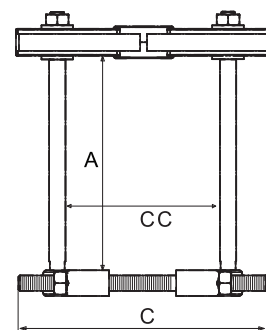
Model No.	Capacity (Ton)	Reach (Max. mm) A	Spread (Max. mm) C	Stroke (mm) H	Pump Tip (mm)		
					E	F	G
PM410	4	224	145	60	42	22	84
PM610	6	255	220	70	45	23	90
PM810	8	255	230	85	50	25	122
PM1210	12	298	310	85	60	28	115

\* Including the hydraulic pump body and bearing attachment.

## TECHNICAL DATA - Accessory Set

Model No.	Capacity (Ton)	A (mm)	D (mm) Min-Max	C (mm)	CC (mm) Min-Max	Thread (inch)	Bearing Attachment	Weight (kgs)
P412	4	224	12 - 70	163	100 - 145	1/2"- 13UNC	YC9015	6.5
P612	6	255	28 - 150	260	115 - 220	5/8"- 11UNC	YC9025	10.5
P812	8	255	28 - 150	260	110 - 230	5/8"- 11UNC	YC9025	10.5
P1212	12	298	20 - 200	360	140 - 310	3/4"- 10UNC	YC9035	11.5

\* Excluding the hydraulic pump body.



## TECHNICAL DATA - Bearing Attachments

Model No.	D Min - Max (mm)	C (mm)	L (mm)	I (mm)	ØT (inch)	ØM (inch)	Weight (kgs)
YC9005	5-60	17	120	92	3/8-24UNF	3/8-16UNC	0.7
YC9010	15-60	20	135	130	1/2-20UNF	3/8-16UNC	1.5
YC9015	12-70	27	165	156	5/8-18UNF	1/2-12UNC	2.5
YC9025	28-150	33	275	207	3/4-16UNF	5/8-11UNC	5.5
YC9035	20-200	38.5	350	240	1-14UN	3/4-10UNC	11
YC9035A	20-200	38.5	350	240	1-14UN	1-14UN	11

