

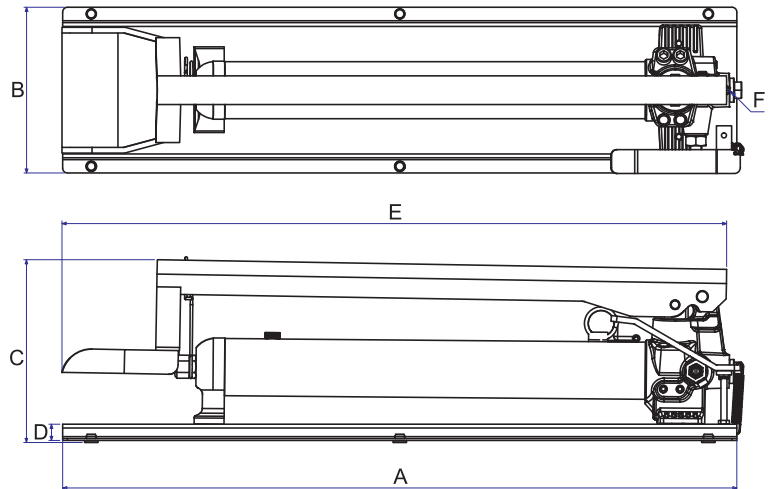
MODEL: FHA & FHB SERIES

Single & Dual-speed models
Large 3/8" NPT pressure port for max. flow
Low handle force for easy operation
Max. working pressure: 700 bar



FEATURES

- Unique foot pumps are characterized by their the exquisite design durability and stability.
- Foot-operated pump and release pedal provide the for operating in different working conditions.
- Both Single and Dual-Speed are available.
- Foot pedal with spring return is convenience and easy to use.
- Internal overload valve prevents pump from being used beyond its rated capacity.



Hoses & Adaptors

Page 73-79



Manifolds & Control Valves

Page 73-79



SPECIFICATION

Model No.	Pressure Rating (bar)		Usable Oil Capacity (c.c.)	Oil Volume Per Stroke (c.c.)		A (mm)	B (mm)	C (mm)	D (mm)	E (mm)	Oil Port Thread F	Weight (kg)
	1st Stage	2nd Stage		1st Stage	2nd Stage							
FHA350	700		350	3.1		474	174	192	17	461	3/8 NPT	8.4
FHA600	700		600	3.1		660	174	192	17	647	3/8 NPT	10.3
FHA700	700		700	3.1		708	174	192	17	695	3/8 NPT	11.5
FHB350	13.8	700	350	13.0	2.8	474	174	192	17	461	3/8 NPT	8.8
FHB600	13.8	700	600	13.0	2.8	660	174	192	17	647	3/8 NPT	10.8
FHB700	13.8	700	700	13.0	2.8	708	174	192	17	695	3/8 NPT	12