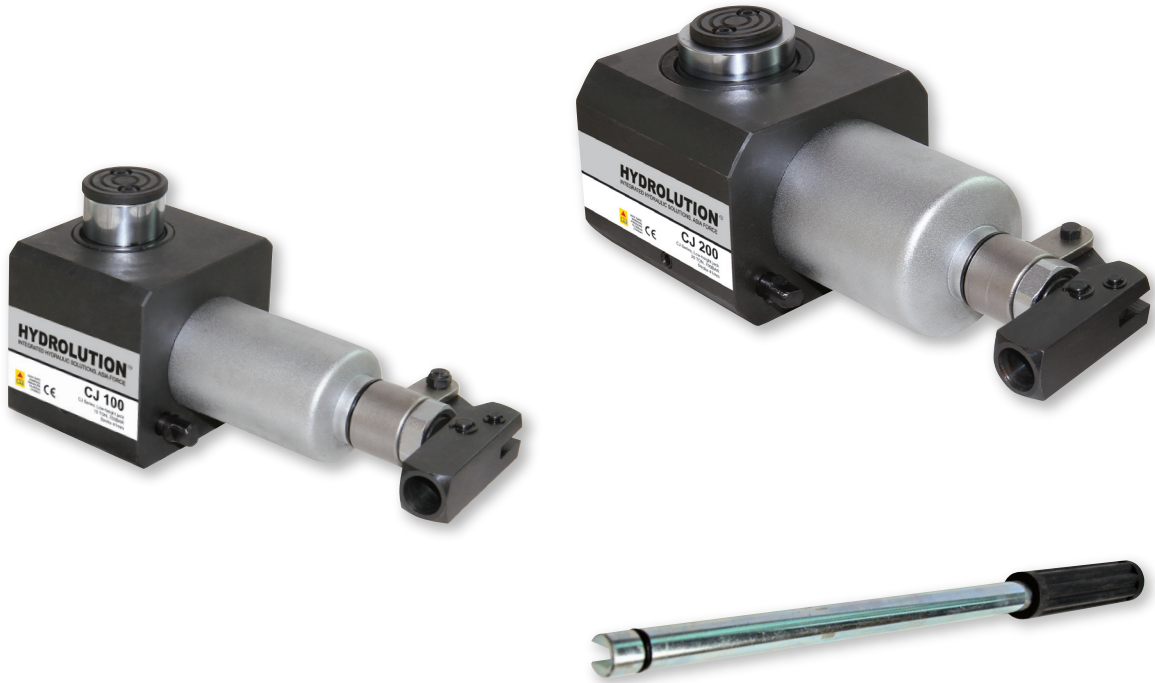


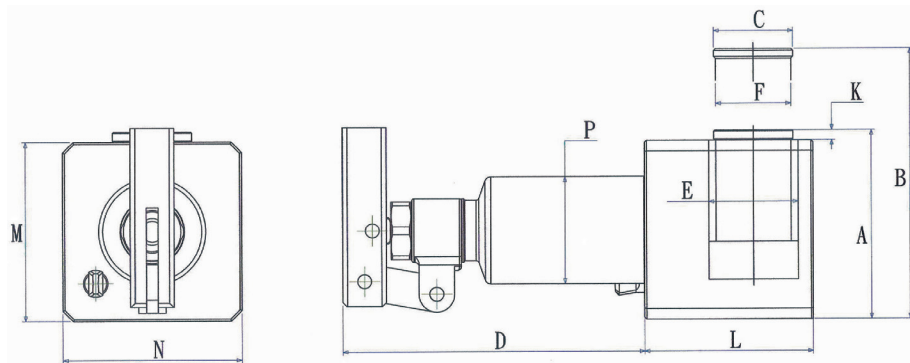
MODEL: CJ SERIES

Capacity: 10 - 20 Tons



FEATURES

- Integrated pump & spring return cylinders, with low build-in height.
- Max. working pressure: 10,000 psi / 700 bar.
- Hard chromed piston
- Ram inside roll polished
- Perfect for jobs with limited space, for example: positioning machines, mounting tools or load tests.



SPECIFICATIONS

Model No.	Cap. (Ton)	Stroke (mm)	Oil Cap. (cm ³)	Height(mm)		C Ømm	D mm	E Ømm	F Ømm	H mm	K mm	L mm	M mm	N mm	P Ømm	Weight (kg)
				Retracted	Extended											
CJ100	10	40	155	95	135	40	152.5	45	37.95	407.5	4.9	85	90	90	53.8	6.8
CJ200	20	41	250	95	136	40	152.5	65	50.8	407.5	4.9	110	90	110	69.8	9.6