

## MODEL:PRE SERIES



PRE800



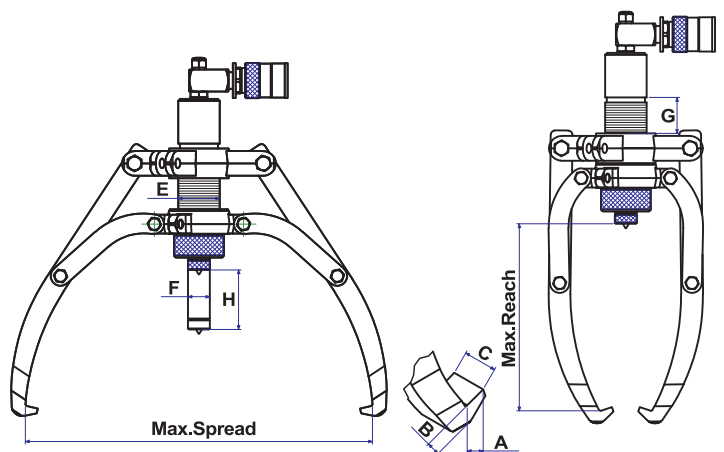
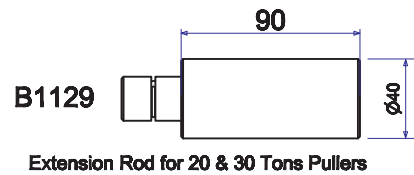
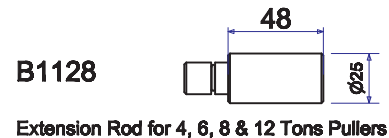
PRE1200



PRE2000

### FEATURES

- Self-centering and fast-acting jaws are absolutely user-friendly for operating.
- 360° Rotary socket can be operated in all direction.
- The extension rods can be used for extra reach when necessary.
- The integral safety valve can prevent the puller being overloaded.
- The convertible 2 / 3 way hydraulic easy puller provide the best and cost saving choice for the users.
- Suggested Hand Pumps:  
4 ~ 12 Ton: PB600BG or AHP701BG  
20 ~ 30 Ton: PB700BG or AHP702BG



### SPECIFICATIONS

Capacity	Model No.	Max. Spread (mm)	Min. Reach (mm)	Min. Spread (mm)	Max. Reach (mm)	Stroke (mm)				Pump Tip (mm)			Jaw Tip (mm)			Weight (kg)
						H	E	F	G	A	B	C				
4 Ton	PRE400	315	150	83	190	60	42	22	40	13	10	22	7.4			
8 Ton	PRE800	460	225	110	280	85	50	25	70	13	13	27.5	14.0			
12 Ton	PRE1200	515	240	120	300	85	60	28	70	15	16.5	29	17.0			
20 Ton	PRE2000	520	250	160	325	111	80	40	62	20	27	33	36.7			
30 Ton	PRE3000	620	330	190	415	111	98	50	85	20	27	38	56.5			

Patented in USA, Germany, Taiwan, P.R.C.....etc.