

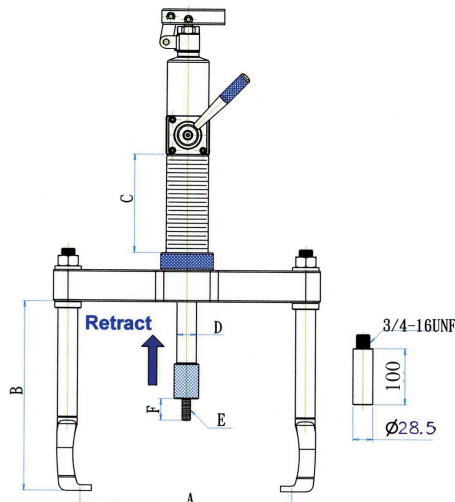
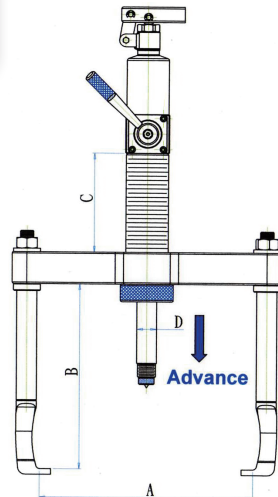
PUSH PULLER / THREE-IN-ONE

HYDROLUTION[®]
INTEGRATED HYDRAULIC SOLUTIONS. ASIA FORCE

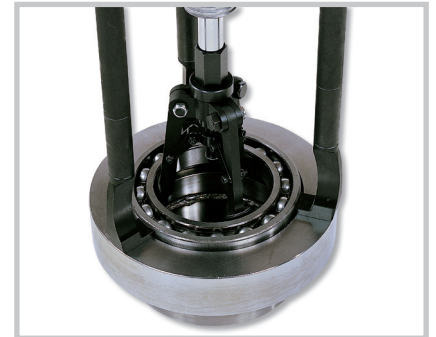
The first Three-in-one push puller in the world !



PD12080



51



INNER PULLING



PUSHING



OUTER PULLING

SIMPLE, EASY

The patented unique design provides the users to get the three-in-one tool for installing, outer pulling and inner pulling with the great convenience and safety.

The push puller is specially designed for having combined works on pushing and pulling. This creates one tool to provide the both of most even force for pushing and pulling with great convenience.

The pushing jaw heads on the inner ring of the bearing which prevents the force and/or heat from being transmitted through the outer ring and the rolling parts, minimizing the risk of bearing damaged.

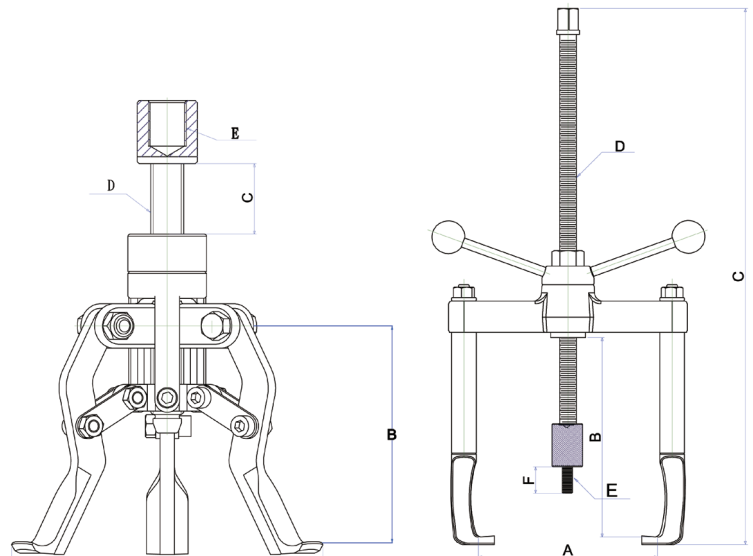
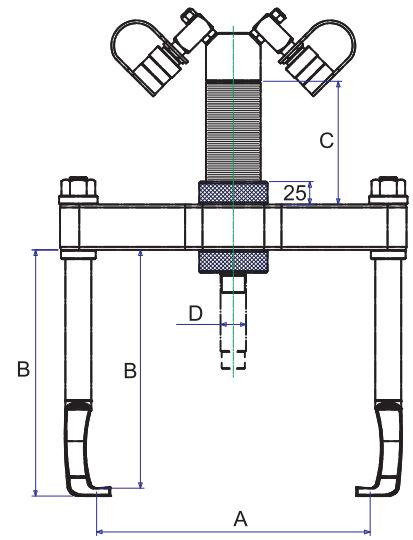
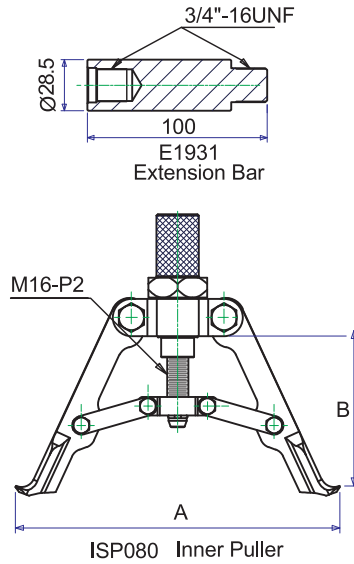


MD6203

The first Three-in-one push puller in the world !



PDR12080



USER-FRIENDLY

- Unique & Patented double action pump body to provide the pushing and pulling force.
- Unique jaw design for installing and outer pulling without removing and changing.
- Three jaw structure provides the even and constant force whenever for installing, outer pulling and inner pulling.
- The extension bars can be used where necessary for reach.
- Self-centering design on inner puller provides the even force and prevent the jaws from sliding off during operating.

SAFE

- The built-in safety valve prevents the user being harmed and work object being damaged by rated pressure which can not be reset or adjusted.
- Most parts are forged SCM440 alloy steel, creating a durable and safe product.

COST SAVING

- The Three-in-One design reduces tool-reset time and duration of operation.
- This push puller is ideal for installing and dismantling a wide variety of press-fit parts, including bushings, wheels, bearings, gears and pulleys.

SPECIFICATIONS

Model No.	Operation	Output (Tons)	A (mm)	B (mm)	C (mm)	D (mm)	E (mm)	F (mm)	Weight (kgs)
PD12080	Installing	8	44-280	270	135	28	M12-P1.75	34	36
	Outer Pulling	12	85-300	260	135	28	---	---	---
	Inner Pulling	8	90-245	130-150	---	---	1"-12UNF	---	---
PDR12080	Installing	8	44-280	270	135	28	M12-P1.75	34	34
	Outer Pulling	12	85-300	260	135	28	---	---	---
	Inner Pulling	8	90-245	130-150	---	---	1"-12UNF	---	---
MD6203	Installing	8	70-206	240	720	3/4"-10UNC	M12-P1.75	34	12
	Outer Pulling	8	29-186	230	720	3/4"-10UNC	---	---	---
	Inner Pulling	8	52-150	130-150	34	5/8"-11UNC	3/4"-10UNC	---	---

Hand pumps suggested for PDR12080: AHP703D or P550D.