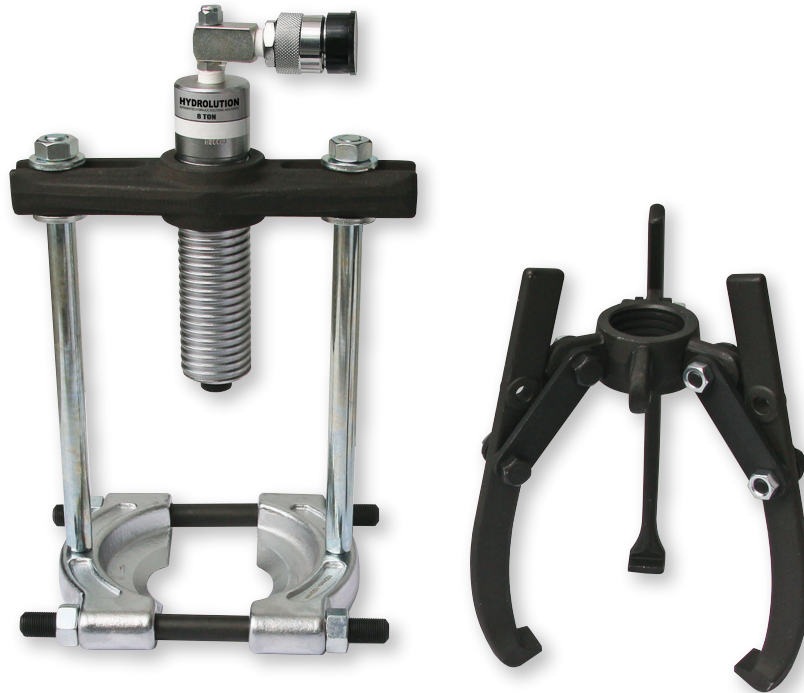
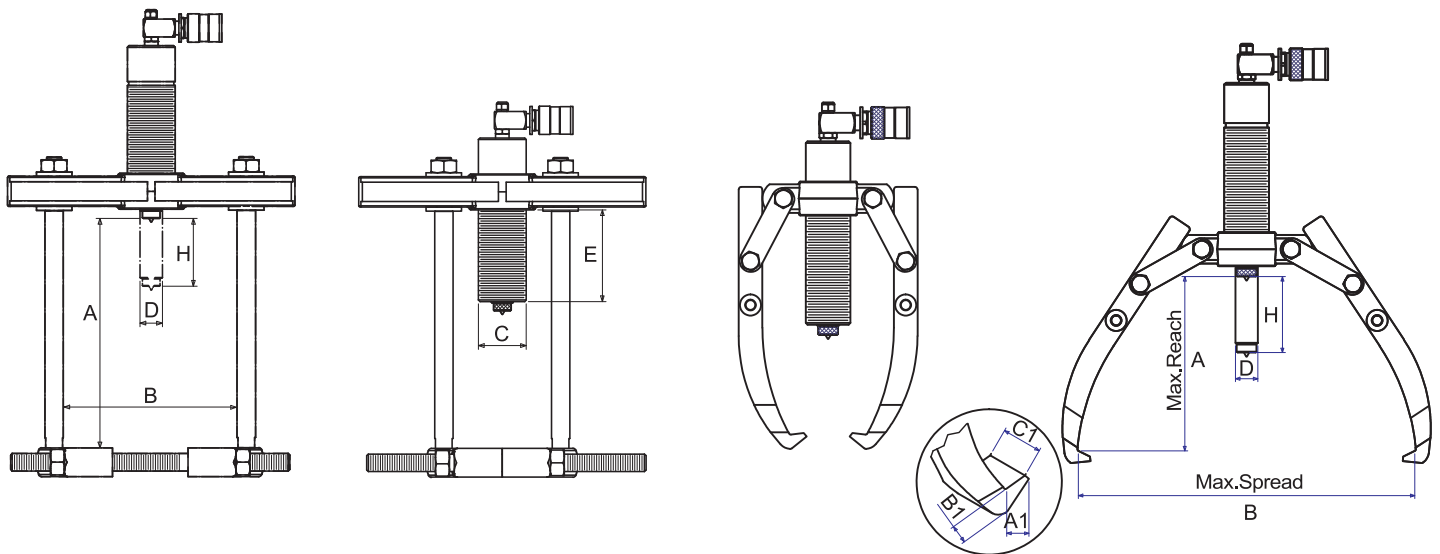


MODEL: PR420 - PR1220



FEATURES

- Heat treated & chrome plated hydraulic cylinder rod provides linear force.
- Easily release valve.
- Spring loaded live centering nut for easy job (removable).
- 2 jaws puller cross head with manganous-phosphoate plated for rust proof and durability.
- Heat treated, chrome plated & alloy steel stud for rust proof and free reach.
- Package including puller body, jaw assembly, cross bearing, extension bar and blow molded case for practical and safe works.
- Suggested Hand Pumps:
 - 4 ~ 12 Ton: PB600BG or AHP701BG
 - 20 ~ 30 Ton: PB700BG or AHP702BG



SPECIFICATIONS

Capacity	Model No.	Reach (Max. mm)		Stroke (mm)	Pump Tip (mm)			Jaw Tip (mm)			Weight (kg)
		A	B		C	D	E	A1	B1	C1	
4 Ton	PR420	185/224	255/145	60	42	22	84	11	6	22	10.8
8 Ton	PR820	230/255	350/230	85	50	25	122	11	10	25	17.9
12 Ton	PR1220	270/298	375/310	85	60	28	115	14	10	29	12.7 / 21.3