



P901



P902



P903



P904



P904D



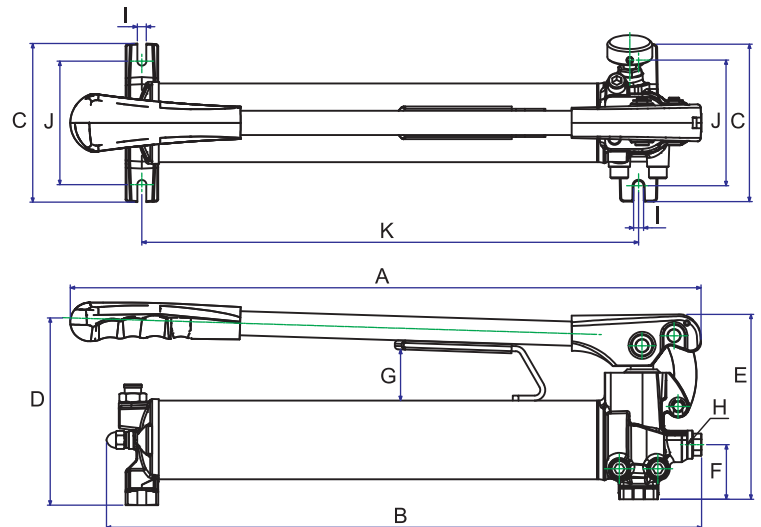
P905

MODEL: P90 SERIES

Dual speed models
Max. working pressure:
700 - 1000 bar

FEATURES

- High pressure hydraulic hand pumps are the solution for tough jobs.
- Reduced handle effort and ergonomic grip for less operator fatigue.
- Dual-speed operation for fast and easy operation.
- Vent free reservoir eliminates spills.
- Quick grip handle allows for easy transport.
- Integral reservoir with over-pressurization protection.
- Chrome plated plunger and wiper system for durable, long lasting performance.
- **P904D** equipped with Control valve for applying with double action cylinders.



SPECIFICATIONS

| Model No. | Pressure Rating (bar) | | Oil Capacity (c.c.) | Usable Oil Capacity (c.c.) | Oil Volume per stroke (c.c.) | | A (mm) | B (mm) | C (mm) | D (mm) | E (mm) | F (mm) | G (mm) | H (mm) | I (mm) | J (mm) | K (mm) | Weight (kgs) |
|--------------|-----------------------|-----------|---------------------|----------------------------|------------------------------|-----------|--------|--------|--------|--------|--------|--------|--------|---------|--------|--------|--------|--------------|
| | 1st stage | 2nd stage | | | 1st stage | 2nd stage | | | | | | | | | | | | |
| P901 | 20 | 700 | 450 | 300 | 19.4 | 1.2 | 447 | 369.5 | 140 | 163 | 164 | 48.5 | 45 | 3/8"NPT | 8 | 112 | 282 | 6.5 |
| P902 | 20 | 700 | 850 | 750 | 19.4 | 2.8 | 560 | 530 | 140 | 167 | 164 | 48.5 | 45 | | 8 | 112 | 442 | 7.8 |
| P903 | 20 | 700 | 1600 | 1400 | 19.4 | 2.8 | 633 | 597.5 | 140 | 170 | 164 | 48.5 | 36.5 | | 8 | 112 | 510 | 10 |
| P904 | 27.5 | 700 | 2500 | 2200 | 39.5 | 2.8 | 633 | 578 | 150 | 208 | 195 | 55 | 46 | | 8 | 121 | 502 | 13.5 |
| P904D | 27.5 | 700 | 2500 | 2200 | 35.6 | 2.8 | 633 | 609 | 150 | 208 | 195 | 38 | 47 | | 8 | 121 | 502 | 15 |
| P905 | 20 | 1000 | 850 | 750 | 19.4 | 1.2 | 560 | 530 | 140 | 167 | 164 | 48.5 | 45 | 8 | 112 | 442 | 7.8 | |