

Single Acting Lock Nut Gravity Return With Tilt Saddle Cylinder

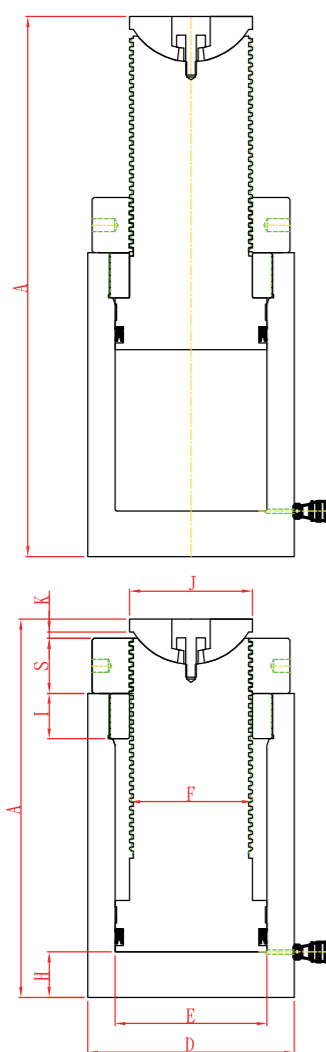


Capacity:
50-1,500 Tons

Stroke:
50-500 mm

Max. Operating Pressure:
700bar/10,000psi

**SLNT
Series**



Model No.	Capacity	Stroke	Piston Area	Oil Volume
	Ton/Kn	mm	cm ²	cm ³
SLNT-502	50	50	86.6	433
SLNT-506		150	86.6	1299
SLNT-5012		300	86.6	2598
SLNT-5020		500	86.6	4330
SLNT-1002	100	50	154	770
SLNT-1006		150	154	2309
SLNT-10012		300	154	4618
SLNT-10020		500	154	7697
SLNT-1502	150	50	227	1135
SLNT-1506		150	227	3405
SLNT-15012		300	227	6809
SLNT-15020		500	227	11349
SLNT-2002	200	50	298.7	1493
SLNT-2006		150	298.7	4480
SLNT-20012		300	298.7	8959
SLNT-20020		500	298.7	14932
SLNT-2502	250	50	363.05	1815
SLNT-2506		150	363.05	5446
SLNT-25012		300	363.05	10892
SLNT-25020		500	363.05	18153
SLNT-3002	300	50	433.73	2169
SLNT-3006		150	433.73	6506
SLNT-30012		300	433.73	13012
SLNT-30020		500	433.73	21687
SLNT-4002	400	50	572.56	2863
SLNT-4006		150	572.56	8588
SLNT-40012		300	572.56	17177
SLNT-40020		500	572.56	28628
SLNT-5002	500	50	730.62	3653
SLNT-5006		150	730.62	10959
SLNT-50012		300	730.62	21919
SLNT-50020		500	730.62	36531
SLNT-6002	600	50	865.7	4329
SLNT-6006		150	865.7	12986
SLNT-60012		300	865.7	25971
SLNT-60020		500	865.7	43285
SLNT-8002	800	50	1164.16	5821
SLNT-8006		150	1164.16	17462
SLNT-80012		300	1164.16	34925
SLNT-80020		500	1164.16	58208
SLNT-10002	1000	50	1452.2	7261
SLNT-10006		150	1452.2	21783
SLNT-100012		300	1452.2	43566
SLNT-100020		500	1452.2	72610
SLNT-12002	1200	50	1809.6	9048
SLNT-12006		150	1809.6	27143
SLNT-120012		300	1809.6	54287
SLNT-120020		500	1809.6	90475
SLNT-15002	1500	50	2206.2	11031
SLNT-15006		150	2206.2	33093
SLNT-150012		300	2206.2	66186
SLNT-150020		500	2206.2	110309

Single Acting Lock Nut Gravity Return With Tilt Saddle Cylinder

- SLNT Series high tonnage safety lock nut cylinders for mechanical load holding for up to 1,500 tons
- Single-acting, load return, stop ring design
- Interchangeable, hardened grooved tilt saddles are standard
- Special synthetic coating on external surface and plated chrome pistons provide superior corrosion resistance
- C8F coupler and dustcap included on all models
- Customized capacity and strokes available

Collapsed Height A	Extended Height B	Cylinder Dia. D	Bore Dia. E	Plunger Dia. F	Port Height H	Stop Ring Height I	Saddle Dia. J	Clearance Between Saddle And Lock Nut K	Lock Nut Height S	Weight kgs	Model No.
220	270	145	105	80×P8	30	40	80	10	35	23	SLNT-502
330	480	145	105	80×P8	30	40	80	10	35	36	SLNT-506
535	835	145	105	80×P8	30	40	80	10	35	58	SLNT-5012
815	1315	145	105	80×P8	50	40	80	10	35	89	SLNT-5020
260	310	185	140	110×P8	45	45	110	10	50	48	SLNT-1002
360	510	185	140	110×P8	45	45	110	10	50	65	SLNT-1006
545	845	185	140	110×P8	45	45	110	10	50	99	SLNT-10012
835	1335	185	140	110×P8	65	45	110	10	50	148	SLNT-10020
290	340	225	170	135×P8	50	55	135	10	60	104	SLNT-1502
390	540	225	170	135×P8	50	55	135	10	60	138	SLNT-1506
555	855	225	170	135×P8	50	55	135	10	60	195	SLNT-15012
855	1355	225	170	135×P8	70	55	135	10	60	302	SLNT-15020
320	370	265	195	155×P8	60	60	155	10	70	123	SLNT-2002
420	570	265	195	155×P8	60	60	155	10	70	158	SLNT-2006
580	880	265	195	155×P8	60	60	155	10	70	215	SLNT-20012
875	1375	265	195	155×P8	80	60	155	10	70	325	SLNT-20020
350	400	290	215	170×P10	65	70	170	10	80	162	SLNT-2502
450	600	290	215	170×P10	65	70	170	10	80	203	SLNT-2506
605	905	290	215	170×P10	65	70	170	10	80	268	SLNT-25012
895	1395	290	215	170×P10	85	70	170	10	80	398	SLNT-25020
365	415	320	235	190×P10	70	70	190	10	85	210	SLNT-3002
465	535	320	235	190×P10	70	70	190	10	85	261	SLNT-3006
635	935	320	235	190×P10	70	70	190	10	85	351	SLNT-30012
955	1455	320	235	190×P10	70	70	190	10	85	530	SLNT-30020
400	450	370	270	220×P10	80	75	220	10	95	306	SLNT-4002
500	650	370	270	220×P10	80	75	220	10	95	375	SLNT-4006
660	960	370	270	220×P10	80	75	220	10	95	488	SLNT-40012
985	1485	370	270	220×P10	80	75	220	10	95	733	SLNT-40020
445	495	410	305	250×P12	90	85	250	10	110	417	SLNT-5002
545	695	410	305	250×P12	90	85	250	10	110	501	SLNT-5006
710	1010	410	305	250×P12	90	85	250	10	110	645	SLNT-50012
1015	1515	410	305	250×P12	90	85	250	10	110	924	SLNT-50020
475	525	450	332	270×P12	100	90	270	10	120	533	SLNT-6002
575	725	450	332	270×P12	100	90	270	10	120	635	SLNT-6006
745	1045	450	332	270×P12	100	90	270	10	120	813	SLNT-60012
1050	1550	450	332	270×P12	100	90	270	10	120	1149	SLNT-60020
535	585	520	385	320×P12	115	105	320	10	135	804	SLNT-8002
635	785	520	385	320×P12	115	105	320	10	135	944	SLNT-8006
805	1105	520	385	320×P12	115	105	320	10	135	1185	SLNT-80012
1100	1600	520	385	320×P12	115	105	320	10	135	1622	SLNT-80020
590	640	580	430	350×P12	130	115	350	10	150	1097	SLNT-10002
690	840	580	430	350×P12	130	115	350	10	150	1254	SLNT-10006
840	1140	580	430	350×P12	130	115	350	10	150	1489	SLNT-100012
1135	1635	580	430	350×P12	130	115	350	10	150	2000	SLNT-100020
670	720	650	480	390×P12	145	130	390	10	165	1595	SLNT-12002
770	920	650	480	390×P12	145	130	390	10	165	1808	SLNT-12006
920	1220	650	480	390×P12	145	130	390	10	165	2127	SLNT-120012
1170	1670	650	480	390×P12	145	130	390	10	165	2682	SLNT-120020
735	785	720	530	420×P12	160	150	420	10	180	2146	SLNT-15002
835	985	720	530	420×P12	160	150	420	10	180	2403	SLNT-15006
985	1285	720	530	420×P12	160	150	420	10	180	2786	SLNT-150012
1205	1705	720	530	420×P12	160	150	420	10	180	3362	SLNT-150020