

MODEL: AP921 & AP922

Single acting model

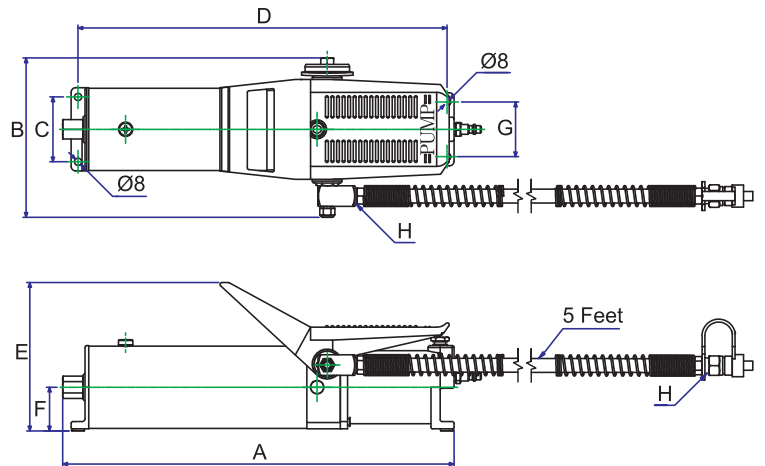
Max. working pressure: 700 bar



AP921

FEATURES

- Air-power hydraulic pump is designed for using with single-acting cylinders and tools.
- Rugged construction that most components are made of Aluminum alloy and built for long service life, easy operation and portability.
- Automatic overload relief valve setting as 10,000 psi protects components in hydraulic system and ensure work safety.
- New Inlet & Outlet design features low exhausting air volume, quiet effect and can be operated in all directions.



SPECIFICATION

Model No.	Acting	Max. Pressure Output (psi)	Valve		Oil Del. (c.c./min. @)*			
			Type	Function	0(psi)	100(psi)	5000(psi)	10000(psi)
AP921	Single	10,000	—	Advance	700	—	—	100
AP922	Single	10,000	—	Advance	700	—	—	100

Model No.	Input Air Pressure (kg)	Reservoir Capacity (c.c.)	Usable Oil Capacity (c.c.)	A (mm)	B (mm)	C (mm)	D (mm)	E (mm)	F (mm)	G (mm)	H (mm)	Weight (kg)
AP921	7-10	850	750	423	170	70	399	160	47	59	1/4" NPT	6.1
AP922	7-10	850	750	423	170	70	399	160	47	59	3/8" NPT	6.1

MODEL: AP1600 SERIES

Single & Double acting models
Max. working pressure: 700 bar



AP1600D

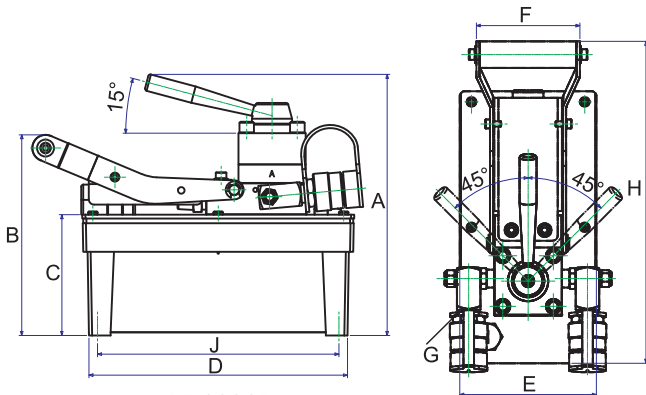


AP1600S

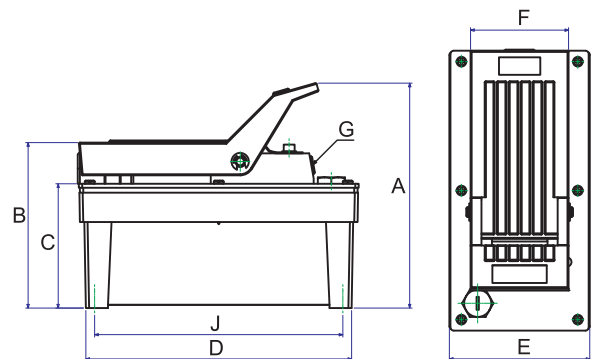
FEATURES

- Air-power hydraulic pump is designed for using with single-acting cylinders and tools.
- Rugged construction and most components are made of Aluminum alloy and built for long service life, easy operation and portability.
- Automatic overload relief valve setting as 10,000 psi protects components in hydraulic system and ensure work safety.

- New Inlet & Outlet design features low exhausting air volume, quiet effect and can be operated in all directions.
- Oil capacity can be modified according to your specific application.



AP1600D



AP1600S

SPECIFICATION

Model No.	Acting	Max. Pressure Output (psi)	Valve		Oil Del. (c.c./min. @)*			
			Type	Function	0(psi)	100(psi)	5000(psi)	10000(psi)
AP1600S	Single	10,000	---	Advance	1250	---	---	195
AP1600D	Double	10,000	3 Position / 4 Way	Advance/ Hold/ Retract	1250	---	---	195

Model No.	Input Air Pressure (kg)	Reservoir Capacity (c.c.)	Usable Oil Capacity (c.c.)	A (mm)	B (mm)	C (mm)	D (mm)	E (mm)	F (mm)	G (mm)	H (mm)	J (mm)	Weight (kg)
AP1600S	7-10	1600	1300	207	152	114	244	129	90	3/8"-NPT	—	228	7.3
AP1600D	7-10	1600	1300	207	152	114	244	129	98	3/8"-NPT	304	228	9.3

MODEL: AP3000 SERIES

Single & Double acting models
Max. working pressure: 700 bar



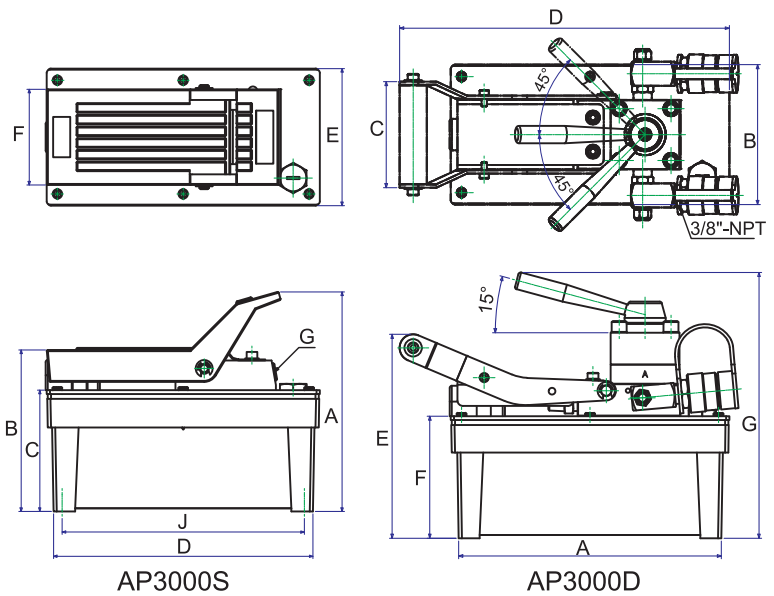
AP3000D



AP3000S

FEATURES

- Air-power hydraulic pump is designed for using with single-acting cylinders and tools.
- Rugged construction and most components are made of Aluminum alloy and built for long service life, easy operation and portability.
- Automatic overload relief valve setting as 10,000 psi protects components in hydraulic system and ensure work safety.
- New Inlet & Outlet design features low exhausting air volume, quiet effect and can be operated in all directions.
- Oil capacity can be modified according to your specific application.



Model No.	Acting	Max. Pressure Output (psi)	Valve		Oil Del. (c.c./min. @)*			
			Type	Function	0(psi)	100(psi)	5000(psi)	10000(psi)
AP3000S	Single	10,000	---	Advance	1250	---	---	195
AP3000D	Double	10,000	3 Position / 4 Way	Advance/ Hold/ Retract	1250	---	---	195

Model No.	Input Air Pressure (kg)	Reservoir Capacity (c.c.)	Usable Oil Capacity (c.c.)	A (mm)	B (mm)	C (mm)	D (mm)	E (mm)	F (mm)	G (mm)	H (mm)	J (mm)	Weight (kg)
AP3000S	7-10	3000	2500	247	190	114	309	160	90	3/8"-NPT	—	289	9.1
AP3000D	7-10	3000	2500	247	190	114	309	160	98	3/8"-NPT	343	289	12.0

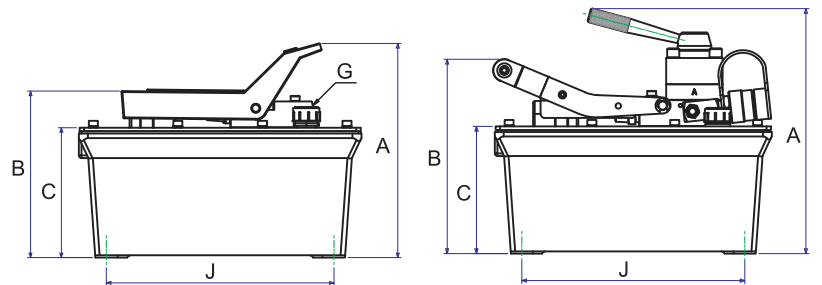
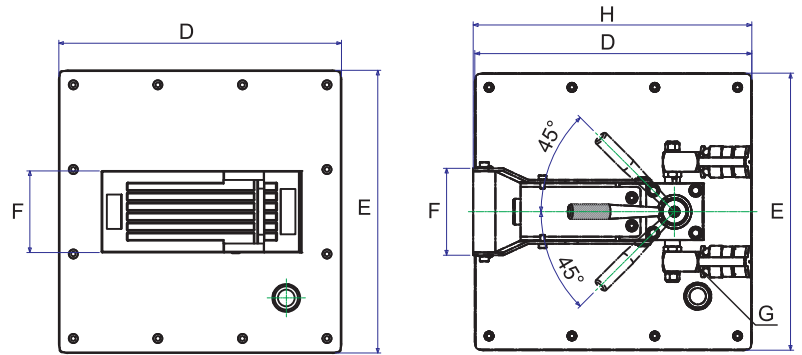
MODEL: AP8000 SERIES

Single & Double acting models

Max. working pressure: 700 bar



AP8000S



AP8000S

AP8000D

FEATURES

- Air-power hydraulic pump is designed for using with single-acting cylinders and tools.
- Rugged construction and most components are made of Aluminum alloy and built for long service life, easy operation and portability.
- Automatic overload relief valve setting as 10,000 psi protects components in hydraulic system and ensure work safety.
- New Inlet & Outlet design features low exhausting air volume, quiet effect and can be operated in all directions.
- Oil capacity can be modified according to your specific application.

Hoses & Adaptors

Page 73-79



Manifolds & Control Valves

Page 73-79



SPECIFICATION

Model No.	Acting	Max. Pressure Output (psi)	Valve		Oil Del. (c.c./min. @)*			
			Type	Function	0(psi)	100(psi)	5000(psi)	10000(psi)
AP8000S	Single	10,000	---	Advance	1250	---	---	195
AP8000D	Double	10,000	3 Position / 4 Way	Advance/ Hold/ Retract	1250	---	---	195

Model No.	Input Air Pressure (kg)	Reservoir Capacity (c.c.)	Usable Oil Capacity (c.c.)	A (mm)	B (mm)	C (mm)	D (mm)	E (mm)	F (mm)	G (mm)	H (mm)	J (mm)	Weight (kg)
AP8000S	7-10	8000	7200	236	184	143	311.6	311.6	90	3/8"-NPT	—	251	19.1
AP8000D	7-10	8000	7200	276	218	143	311.6	311.6	98	3/8"-NPT	313	251	31.5