

Single Acting Load Return, Non-Stop Ring, Bore Seal With Title Saddle Design Cylinders

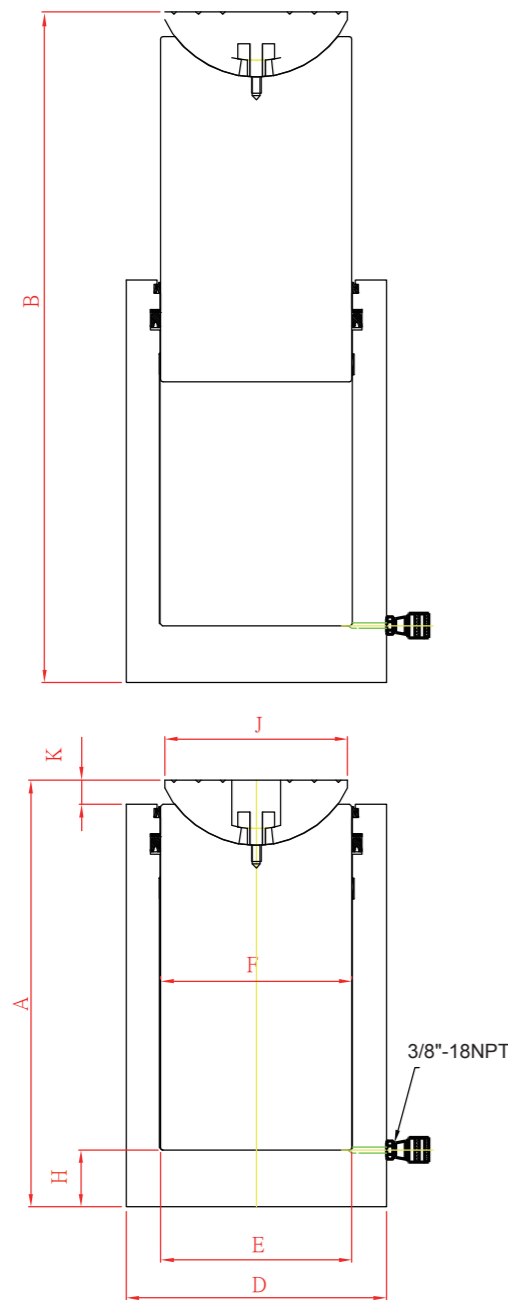


**Capacity:**  
50-1,500 Tons

**Stroke:**  
50-500 mm

**Max. Operating Pressure:**  
700bar/10,000psi

**SLNBT Series**



Model No.	Capacity	Stroke	Piston Area	Oil Volume
	Ton/Kn			
SLNBT-502	50	50	78.54	393
SLNBT-506		150	78.54	1178
SLNBT-5012		300	78.54	2356
SLNBT-5020	100	500	78.54	3927
SLNBT-1002		50	143.14	716
SLNBT-1006		150	143.14	2147
SLNBT-10012	150	300	143.14	4294
SLNBT-10020		500	143.14	7157
SLNBT-1502		50	213.82	1069
SLNBT-1506	200	150	213.82	3207
SLNBT-15012		300	213.82	6415
SLNBT-15020		500	213.82	10691
SLNBT-2002	250	50	283.53	1418
SLNBT-2006		150	283.53	4253
SLNBT-20012		300	283.53	8506
SLNBT-20020	300	500	283.53	14176
SLNBT-2502		50	363.05	1815
SLNBT-2506		150	363.05	5446
SLNBT-25012	400	300	363.05	10892
SLNBT-25020		500	363.05	18153
SLNBT-3002		50	433.74	2169
SLNBT-3006	500	150	433.74	6506
SLNBT-30012		300	433.74	13012
SLNBT-30020		500	433.74	21687
SLNBT-4002	600	50	572.55	2863
SLNBT-4006		150	572.55	8588
SLNBT-40012		300	572.55	17177
SLNBT-40020	800	500	572.55	28628
SLNBT-5002		50	730.62	3653
SLNBT-5006		150	730.62	10959
SLNBT-50012	1000	300	730.62	21919
SLNBT-50020		500	730.62	36531
SLNBT-6002		50	865.70	4328
SLNBT-6006	1200	150	865.7	12985
SLNBT-60012		300	865.70	25970
SLNBT-60020		500	865.7	43285
SLNBT-8002	1500	50	1164.16	5821
SLNBT-8006		150	1164.16	17462
SLNBT-80012		300	1164.16	34925
SLNBT-80020	1000	500	1164.16	58208
SLNBT-10002		50	1452.20	7261
SLNBT-10006		150	1452.2	21783
SLNBT-100012	1200	300	1452.20	43566
SLNBT-100020		500	1452.2	72610
SLNBT-12002		50	1735.00	8675
SLNBT-12006	1500	150	1735	26024
SLNBT-120012		300	1735.00	52048
SLNBT-120020		500	1735	86747
SLNBT-15002	1000	50	2206.20	11031
SLNBT-15006		150	2206.2	33093
SLNBT-150012		300	2206.20	66186
SLNBT-150020	1200	500	2206.2	110309

Single Acting Load Return, Non-Stop Ring, Bore Seal With Title Saddle Design Cylinders

- SLNBT Series high tonnage single acting hydraulic cylinders are designed specifically for heavy lifting
- Single-acting, load return, non-stop ring
- Interchangeable, hardened grooved tilt saddles are standard
- Cylinder wall seal design, keep piston lubricated all the time
- Overflow port functions as a stroke limiter
- Special synthetic coating on external surface and plated chrome pistons provide superior corrosion resistance
- C8F coupler and dustcap included on all models
- Customized capacity and strokes available

Collapsed Height	Extended Height	Cylinder Dia.	Bore Dia.	Plunger Dia.	Port Height	Saddle Dia.	Saddle Protrusion from Plunger	Weight	Model No.
A	B	D	E	F	H	J	K	kgs	
mm	mm	mm	mm	mm	mm	mm	mm		
172	222	135	100	100	30	100	25	17	SLNBT-502
292	442	135	100	100	30	100	25	31	SLNBT-506
462	672	135	100	100	30	100	25	50	SLNBT-5012
727	1227	135	100	100	50	100	25	80	SLNBT-5020
186	236	185	135	135	40	135	25	36	SLNBT-1002
296	446	185	135	135	40	135	25	59	SLNBT-1006
471	771	185	135	135	40	135	25	96	SLNBT-10012
731	1231	185	135	135	60	135	25	151	SLNBT-10020
201	251	220	165	165	50	160	30	56	SLNBT-1502
316	466	220	165	165	50	160	30	90	SLNBT-1506
496	796	220	165	165	50	160	30	144	SLNBT-15012
741	1241	220	165	165	70	160	30	217	SLNBT-15020
211	261	255	190	190	55	180	30	79	SLNBT-2002
321	471	255	190	190	55	180	30	124	SLNBT-2006
491	791	255	190	190	55	180	30	192	SLNBT-20012
746	1246	255	190	190	75	180	30	294	SLNBT-20020
221	271	290	215	215	65	195	30	81	SLNBT-2502
331	481	290	215	215	65	195	30	165	SLNBT-2506
526	826	290	215	215	65	195	30	266	SLNBT-25012
813	1313	290	215	215	85	195	30	424	SLNBT-25020
230	280	320	235	235	70	215	30	136	SLNBT-3002
340	490	320	235	235	70	215	30	206	SLNBT-3006
525	825	320	235	235	70	215	30	323	SLNBT-30012
840	1340	320	235	235	90	215	30	522	SLNBT-30020
250	300	370	270	270	85	255	35	200	SLNBT-4002
360	510	370	270	270	85	255	35	293	SLNBT-4006
545	845	370	270	270	85	255	35	449	SLNBT-40012
840	1340	370	270	270	85	255	35	699	SLNBT-40020
275	325	410	305	305	95	280	40	268	SLNBT-5002
385	535	410	305	305	95	280	40	382	SLNBT-5006
575	875	410	305	305	95	280	40	579	SLNBT-50012
880	1380	410	305	305	95	280	40	896	SLNBT-50020
288	338	450	332	332	100	300	45	335	SLNBT-6002
398	548	450	332	332	100	300	45	473	SLNBT-6006
588	888	450	332	332	100	300	45	710	SLNBT-60012
893	1393	450	332	332	100	300	45	1092	SLNBT-60020
308	358	520	385	385	115	350	50	474	SLNBT-8002
410	560	520	385	385	115	350	50	645	SLNBT-8006
620	920	520	385	385	115	350	50	995	SLNBT-80012
935	1435	520	385	385	115	350	50	1522	SLNBT-80020
365	415	580	430	430	130	390	65	694	SLNBT-10002
465	615	580	430	430	130	390	65	902	SLNBT-10006
650	950	580	430	430	130	390	65	1285	SLNBT-100012
965	1465	580	430	430	130	390	65	1940	SLNBT-100020
395	445	640	470	470	145	430	70	928	SLNBT-12002
505	655	640	470	470	145	430	70	1206	SLNBT-12006
675	975	640	470	470	145	430	70	1637	SLNBT-120012
985	1485	640	470	470	145	430	70	2420	SLNBT-120020
430	480	720	530	530	160	450	80	1253	SLNBT-15002
530	680	720	530	530	160	450	80	1573	SLNBT-15006
710	1010	720	530	530	160	450	80	2150	SLNBT-150012
1010	1510	720	530	530	160	450	80	3110	SLNBT-150020