

HYDRAULIC EASY PULLERS

HYDROLUTION[®]
INTEGRATED HYDRAULIC SOLUTIONS. ASIA FORCE

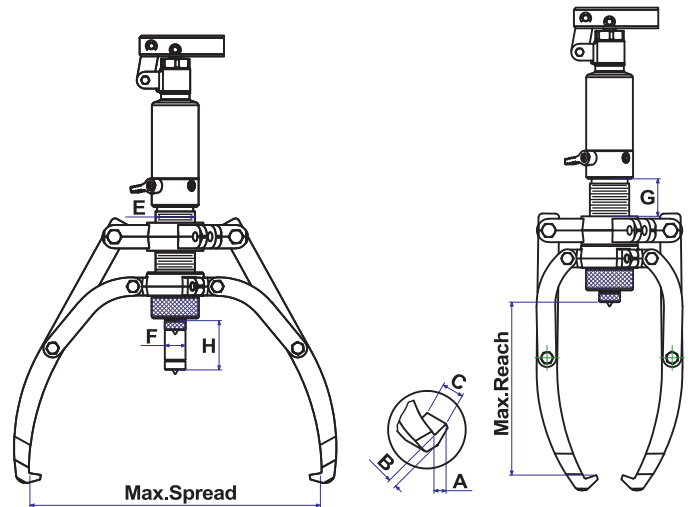
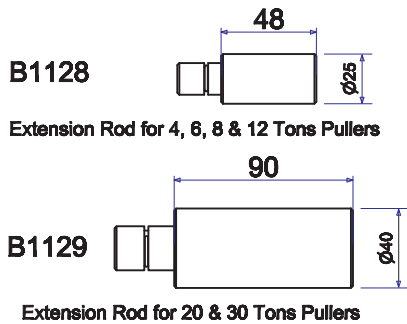
The first 2/3 way Hydraulic Easy Puller in the world !



FEATURES

- Self-centering and fast-acting jaws are absolutely user-friendly for operating.
- 360° Rotary socket can be operated in all direction.
- The extension rods can be used for extra reach when necessary.
- The self-contained hydraulic pump provide easy job without the necessary of additional cylinder, pump & hose.
- The integral safety valve can prevent the puller being overloaded.
- The convertible 2 / 3 way hydraulic easy puller provide the best and cost saving choice for the users.

Puller Assembled Package



SPECIFICATIONS

Capacity	Model No.	Max. Spread (mm)	Min. Reach (mm)	Min. Spread (mm)	Max. Reach (mm)	Stroke (mm)	Pump Tip (mm)				Jaw Tip (mm)			Weight (kg)
						H	E	F	G	A	B	C		
4 Ton	PME400	315	150	83	190	60	42	22	40	13	10	22	9.3	
6 Ton	PME600	390	185	90	230	70	45	23	50	13	10	22	9.8	
8 Ton	PME800	460	225	110	280	85	50	25	70	13	13	27.5	15.3	
12 Ton	PME1200	515	240	120	300	85	60	28	70	15	16.5	29	18.4	
20 Ton	PME2000	520	250	160	325	111	80	40	62	18	20	33	46.0	
30 Ton	PME3000	620	330	190	415	111	98	50	85	18	20	38	61.8	

Patented in USA, Germany, Taiwan, P.R.C.....etc.