



## SIMPLE AND EASY PULLING JOB

The most simple and efficient design, Screw-Operated Jaws bring the users to position the puller on the part quickly and correctly with just one person operating only.

## USER-FRIENDLY

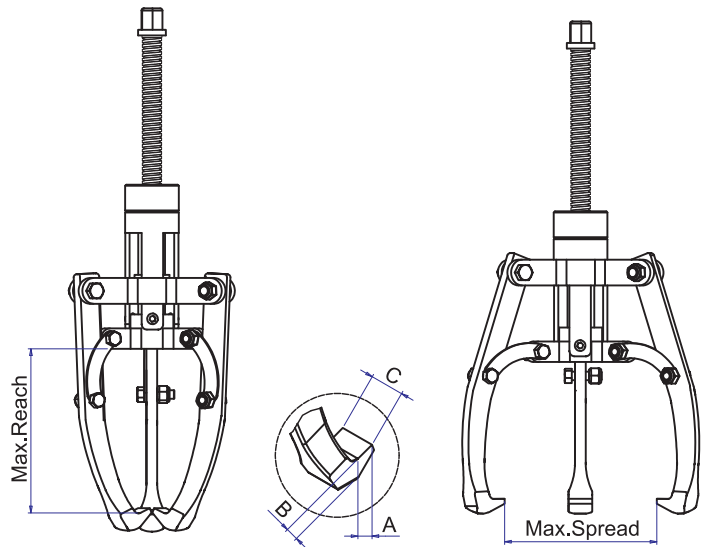
- 3 and/or 2 fixed jaws for easy positioning and self-centering.
- Available in six sizes with a maximum pulling force from 2 Tons to 12 Tons.

## SAFE

- Self-positioning centring prevent the damage to the shaft as well.

## SAVING COST

- Conveniently positioning, efficiently pulling help to save manpower and operating time.
- The first 2 / 3 way manual easy puller in the world which brings users the two options in one model as the best choice to save the cost.



## SPECIFICATIONS

Capacity	Model No.	Reach (Max. mm)	Spread (Max. mm)	Shaft Dimension		Jaw Tip (mm)			Weight (kg)
				Thread	Length (mm)	A	B	C	
2 Ton	PM55	80	120	Ø5/8"x11T	24	8	6	15	1.6
3 Ton	PM85	120	140	Ø5/8"x11T	28	6	7	15	2.3
5 Ton	PM105	160	270	Ø3/4"x10T	34	11	10	25	4.3
8 Ton	PM125	210	300	Ø3/4"x10T	39	13	14	27	6.1
10 Ton	PM155	250	380	Ø7/8"x14T	47	14	10	29	9.6
12 Ton	PM175	250	440	Ø7/8"x14T	47	14	10	29	11.2

Patented in USA, Germany, S. Korea, Taiwan, P.R.C.....etc.