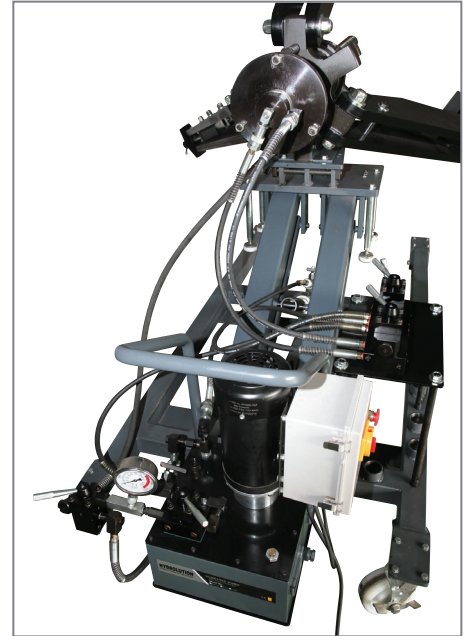


100 & 150 TON EASY PULLER

HYDROLUTION[®]
INTEGRATED HYDRAULIC SOLUTIONS. ASIA FORCE

**Simple & Easy, User-Friendly,
Safety and Cost Saving - Our Goals Always!**



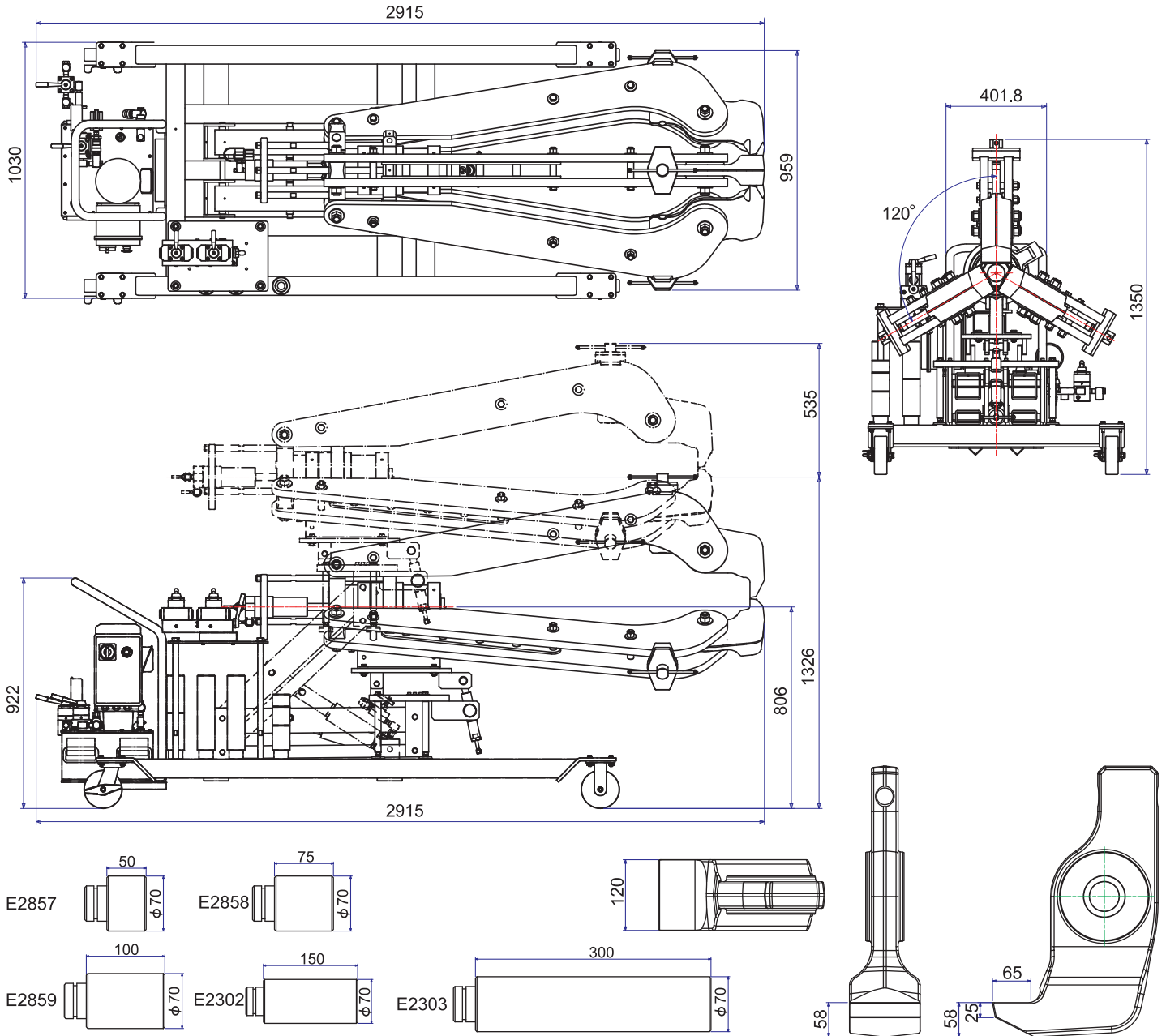
FEATURES

- Double acting hydraulic system for holding, opening & closing jaws for safe & secure grip on work object always.
- Self-centering design keeps puller jaws clamp work object evenly and automatically.
- Electrical Hydraulic Pump advances and retracts the pushing cylinder only to prevent operating errors from happening.
- The easy jaw head adjusting system prevents puller jaws from sliding and spring off the work object being pulled always.
- Puller can be converted into 2 or 3-WAY configurations.
- Puller can be adjusted with 5 degree up/down of puller centerline for precisely positioning.
- The cart swivel castors provide movement of cart easily.
- Electrical Hydraulic Pump is two stage version ; the low pressure stage provides the fast stroking to save time ; the high pressure stage is controlled by remote switch.
- 100 Ton Cylinder is 2-stages, spring return type with a maximum working pressure of 10,000 psi.
- Five extension adapters are standard attachments for the needs on extra stroke.
- **Integrated Control System for operating Lift and Push easily and efficiently by Electric Pump only. (Equipment on requesting)**

*** These models are patented in Taiwan, Germany, USA & PRC.**

100 TON EASY PULLER

HYDROLUTION[®]
INTEGRATED HYDRAULIC SOLUTIONS. ASIA FORCE



EXTENSIONS & JAW TIP

| Part No. | Dia. (mm) | Length (mm) | Qty (pc) | Jaw Tip Dimensions (mm) |
|----------|-----------|-------------|----------|---|
| E2857 | 70 | 50 | 1 | Tip Depth: 65 Tip Clearance: 25 - 58 Tip Width: 120 |
| E2858 | | 75 | 1 | |
| E2859 | | 100 | 1 | |
| E2302 | | 150 | 2 | |
| E2303 | | 300 | 2 | |

SPECIFICATIONS

| Model No. | Reach (Min-Max) | Spread (Min-Max) | Stroke (mm) | Overall Dimensions (mm) | Power Sources | Weight (kgs) |
|-----------|-----------------|------------------|-------------|-------------------------|---------------|--------------|
| PME100T | 952-1220 | 300-1500 | 270 | 2915x1035x1350 | --- | 1083 |
| PME100TE* | 952-1220 | 300-1500 | 270 | 2915x1035x1350 | --- | 1189 |

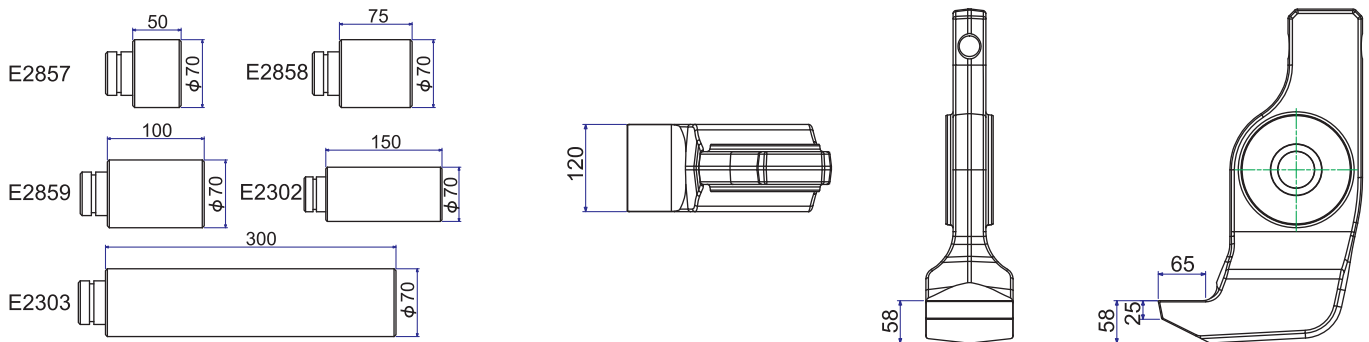
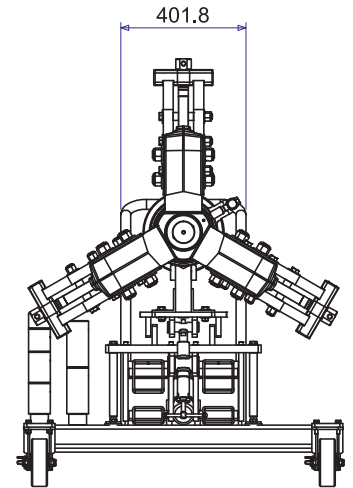
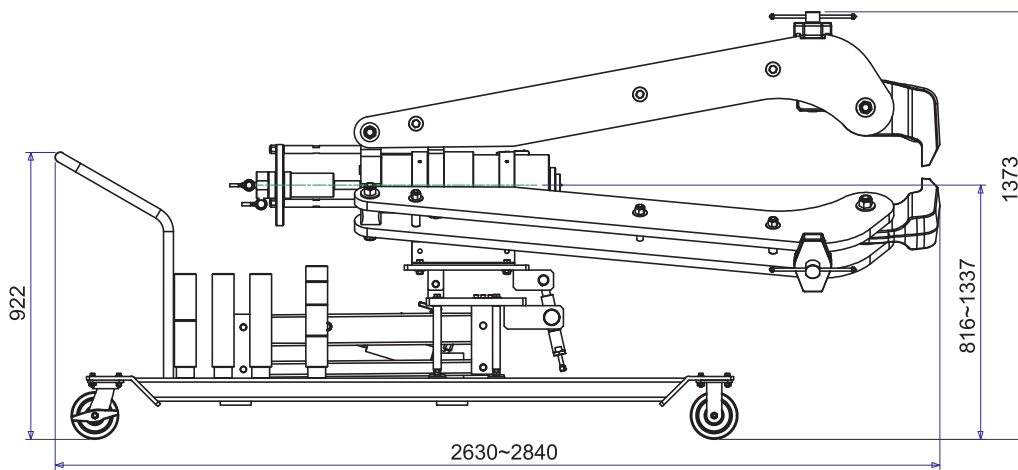
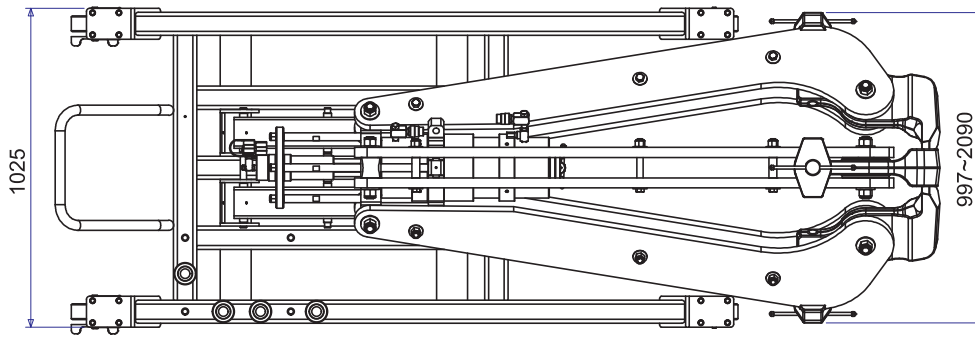
* This model is equipped with the Electric Pumps according to Customer's requirement.

* ELECTRIC PUMPS:

We suggest two models of EP211 & EP420 as the options.
Please contact with our distributors for further information.

150 TON EASY PULLER

HYDROLUTION[®]
INTEGRATED HYDRAULIC SOLUTIONS. ASIA FORCE



EXTENSIONS & JAW TIP

| Part No. | Dia. (mm) | Length (mm) | Qty (pc) | Jaw Tip Dimensions (mm) |
|----------|-----------|-------------|----------|---|
| E2857 | 70 | 50 | 1 | Tip Depth: 65 Tip Clearance: 25 - 58 Tip Width: 120 |
| E2858 | | 75 | 1 | |
| E2859 | | 100 | 2 | |
| E2302 | | 150 | 2 | |
| E2303 | | 300 | 2 | |

SPECIFICATIONS

| Model No. | Reach (Min-Max) | Spread (Min-Max) | Stroke (mm) | Overall Dimensions (mm) | Power Sources | Weight (kgs) |
|-----------|-----------------|------------------|-------------|-------------------------|---------------|--------------|
| PME150T | 970-1175 | 300-1650 | 330 | 2990x1030x1390 | -- | 1158 |
| PME150TE* | 970-1175 | 300-1650 | 330 | 2990x1030x1390 | EP420 | 1223 |

* This model is equipped with the Electric Pump - EP420 & Control Panel System.