

MODEL: HP35 & HP50 Series

Dual-speed model

Large 3/8" NPT pressure port for maximum flow.

Max. working pressure: 700 bar



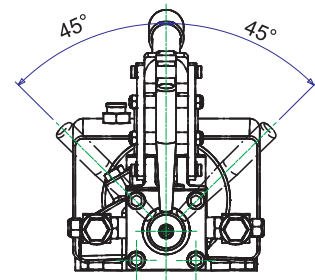
HP35



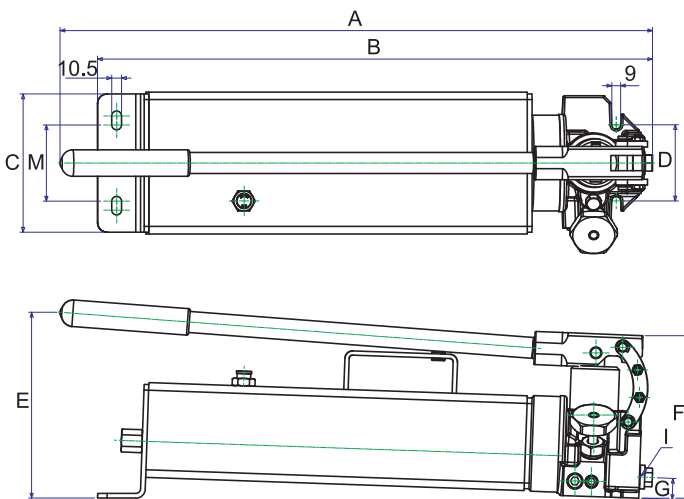
HP35D

FEATURES

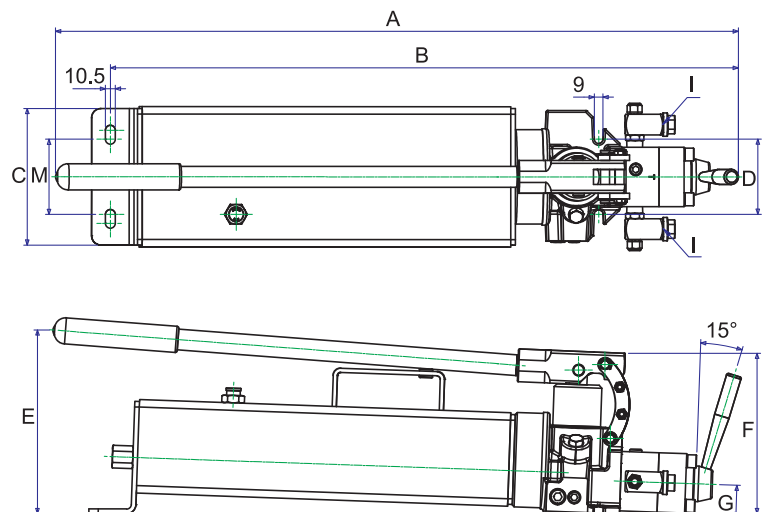
- Steel casting tank.
- Internal overload relief valve prevents pump from being used beyond its rated capacity.
- HP35D & HP50D are ideal for double-acting cylinder without the need for additional control valve.



MODEL: HP35 / HP50



MODEL: HP35D / HP50D (Double-Acting)



SPECIFICATIONS

Model No.	Pressure Rating (bar)		Oil Capacity (c.c.)	Usable Oil Cap. (c.c.)	Oil Volume Per Stroke (c.c.)		A (mm)	B (mm)	C (mm)	D (mm)	E (mm)	F (mm)	G (mm)	I (mm)	M (mm)	Weight (kg)
	1st stage	2nd stage			1st stage	2nd stage										
HP35	28	700	3500	2950	30	3	626	586	146	80.5	196	171.5	22.4	3/8"NPT	80.5	16.5
HP35D	28	700	3500	2950	30	3	741	680	146	80.5	196	171.5	35	3/8"NPT	80.5	19.0
HP50	28	700	5000	4450	30	3	626	586	146	80.5	196	171.5	22.4	3/8"NPT	80.5	20.0
HP50D	28	700	5000	4450	30	3	741	680	146	80.5	196	171.5	35	3/8"NPT	80.5	22.5